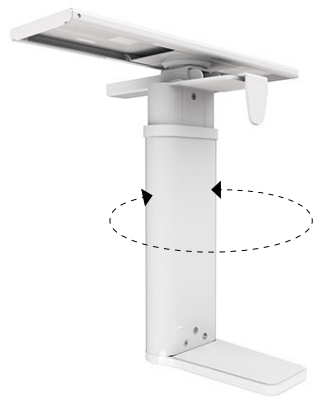




Height adjustable



Rotates 360°



Width adjustable



Under desk slide function

CPU60

SPEC SHEET

Lead Time: 4 - 6 weeks
Warranty: 1 year

Please refer to a physical sample. Images are for an indicative reference only.
Actual product may vary slightly, depending upon model configurations.

FEATURES

- » Simple sliding system & rotates 360°
- » Stores CPU vertically beneath your workstation
- » Width and height adjustable
- » Weight capacity of 10kg
- » Aluminium body clamps tightly on top & bottom of CPU to hold securely
- » Accepts CPUs:
Min: 270mm x 75mm
Max: 370mm x 200mm

DIMENSIONS

	WIDTH (mm)	DEPTH (mm)	HEIGHT (mm)
Overall (Master Unit)	170.3	100	262.8
Mount	353	98	11.5

Standard Finishes:

White

Watts Commercial Furniture

350a Edgar St
Bankstown NSW 2200
PO Box 275 Condell Park 2200
ABN: 54 064 557 893

p: 02 9771 3966
wcf.com.au
sales.watts@wcf.com.au
accounts.watts@wcf.com.au

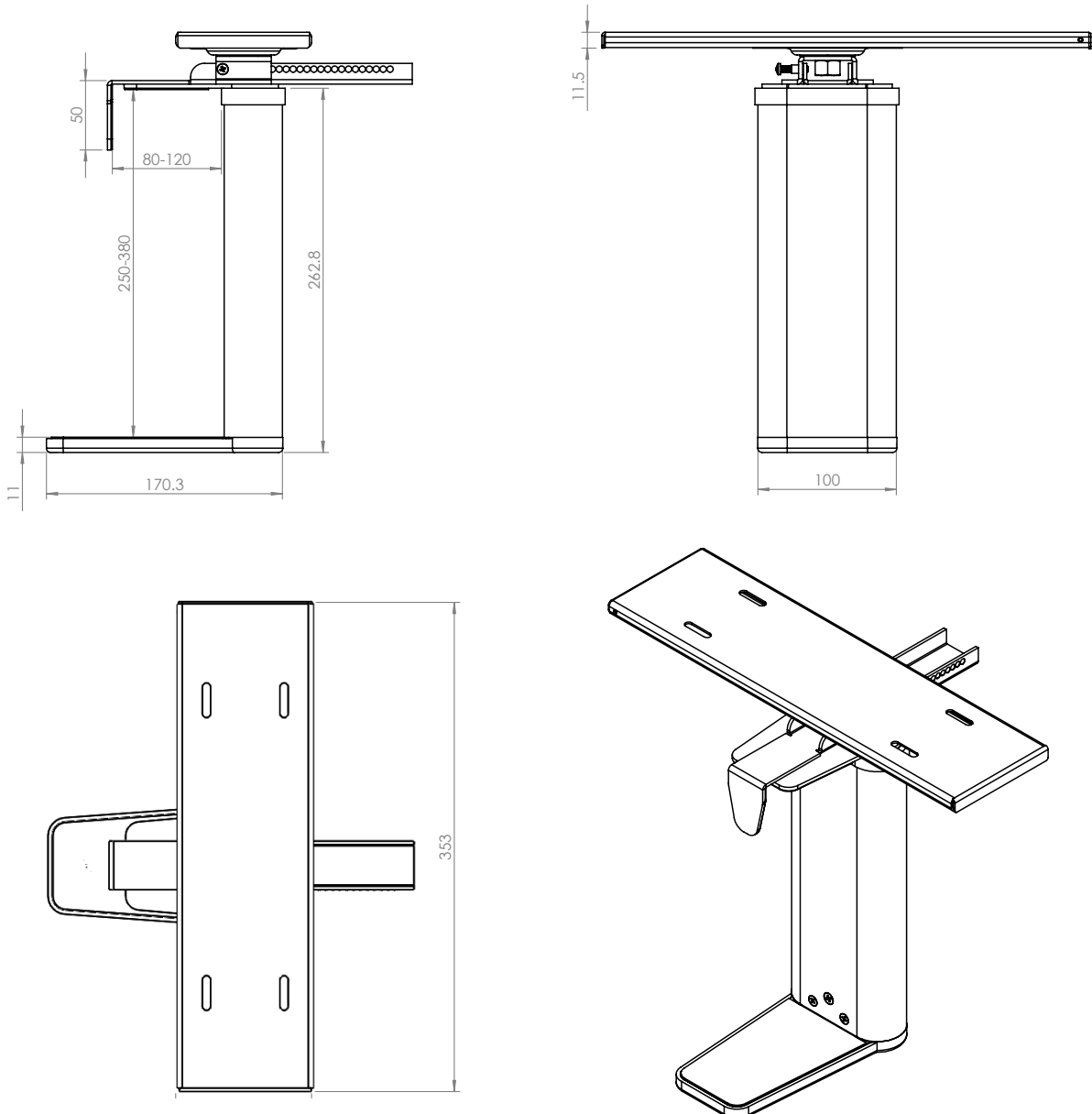
Watts Commercial Furniture reserves the right to change any or all details without prior notice. Every effort has been made to ensure the information is accurate at the time of printing.

September 2022

CMS

CPU Holder - CPU60.

Please refer to a physical sample.
Images are for an indicative reference only.
Actual product may vary slightly, depending upon model configurations.



Watts Commercial Furniture

350a Edgar St
Bankstown NSW 2200
PO Box 275 Condell Park 2200
ABN: 54 064 557 893

p: 02 9771 3966
wcf.com.au
sales.watts@wcf.com.au
accounts.watts@wcf.com.au

Watts Commercial Furniture reserves the right to change any or all details without prior notice. Every effort has been made to ensure the information is accurate at the time of printing.

September 2022