



BOOKCASES

storage

Features

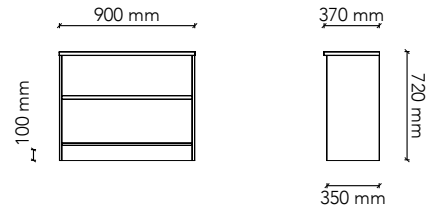
- Bookcases - open / with doors / with glass doors
- Designed & Manufactured in Australia
- Adjustable shelves - 30 kg/shelf
- Wide range of colour options
- Two-tone colour option available
- Other sizes / configurations available on request
- 10 Year warranty

WARRANTY

10
Year

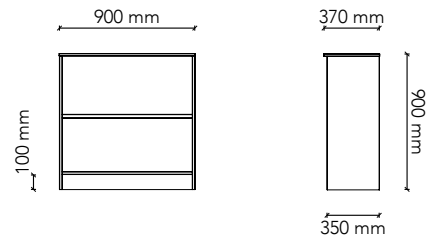
BO37-1

Bookcase Size: 900W x 370D x 720H
Adj. Shelves: 1 x 25mm
Weight Capacity: 30 kg/shelf
Colour: Group 1 (standard)
Colour Option 1: Group 2
Colour Option 2: Two-tone



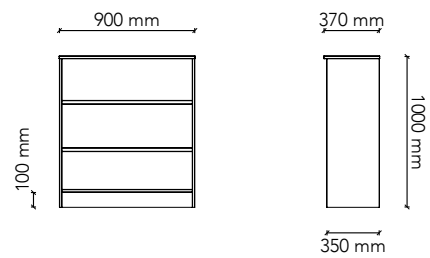
BO37-2

Bookcase Size: 900W x 370D x 900H
Adj. Shelves: 1 x 25mm
Weight Capacity: 30 kg/shelf
Colour: Group 1 (standard)
Colour Option 1: Group 2
Colour Option 2: Two-tone



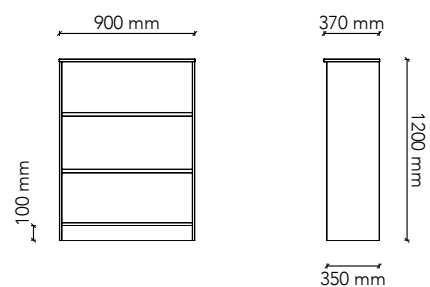
BO37-3

Bookcase Size: 900W x 370D x 1000H
Adj. Shelves: 2 x 25mm
Weight Capacity: 30 kg/shelf
Colour: Group 1 (standard)
Colour Option 1: Group 2
Colour Option 2: Two-tone



BO37-4

Bookcase Size: 900W x 370D x 1200H
Adj. Shelves: 2 x 25mm
Weight Capacity: 30 kg/shelf
Colour: Group 1 (standard)
Colour Option 1: Group 2
Colour Option 2: Two-tone



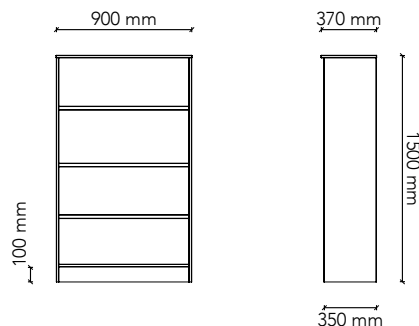
BOOKCASES.

open

Watts.

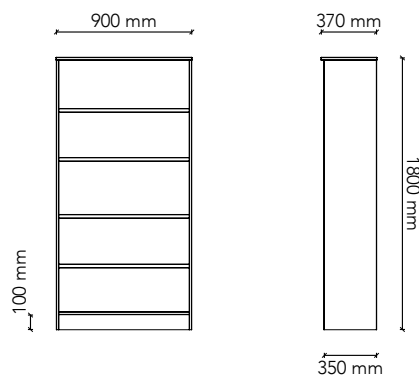
BO37-5

Bookcase Size: 900W x 370D x 1500H
Adj. Shelves: 3 x 25mm
Weight Capacity: 30 kg/shelf
Colour: Group 1 (standard)
Colour Option 1: Group 2
Colour Option 2: Two-tone



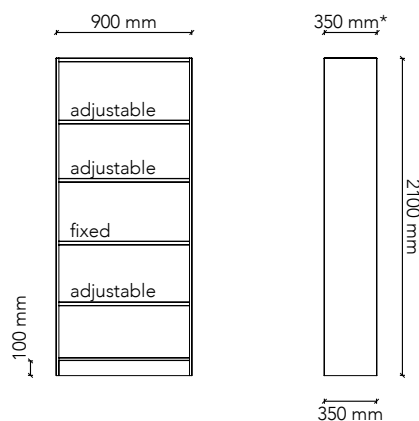
BO37-6

Bookcase Size: 900W x 370D x 1800H
Adj. Shelves: 4 x 25mm
Weight Capacity: 30 kg/shelf
Colour: Group 1 (standard)
Colour Option 1: Group 2
Colour Option 2: Two-tone



BO37-7

Bookcase Size: 900W x 350D x 2100H
Adj. Shelves: 3 x 25mm + (1 fixed shelf)
Weight Capacity: 30 kg/shelf
Colour: Group 1 (standard)
Colour Option 1: Group 2
Colour Option 2: Two-tone



NOTES: *OVERALL DEPTH 350mm

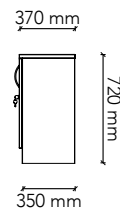
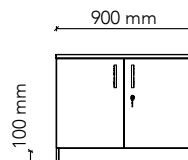
BOOKCASES.

with doors

Watts.

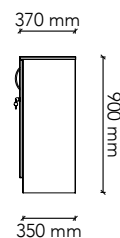
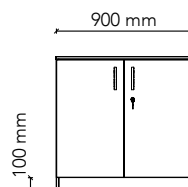
BD37-1

Bookcase Size: 900W x 370D x 720H
Adj. Shelves: 1 x 25mm
Weight Capacity: 30 kg/shelf
Lock: Key lock
Colour: Group 1 (standard)
Colour Option 1: Group 2
Colour Option 2: Two-tone



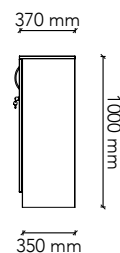
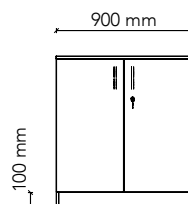
BD37-2

Bookcase Size: 900W x 370D x 900H
Adj. Shelves: 1 x 25mm
Weight Capacity: 30 kg/shelf
Lock: Key lock
Colour: Group 1 (standard)
Colour Option 1: Group 2
Colour Option 2: Two-tone



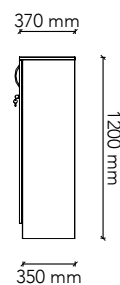
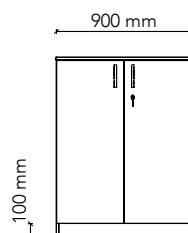
BD37-3

Bookcase Size: 900W x 370D x 1000H
Adj. Shelves: 2 x 25mm
Weight Capacity: 30 kg/shelf
Lock: Key lock
Colour: Group 1 (standard)
Colour Option 1: Group 2
Colour Option 2: Two-tone



BD37-4

Bookcase Size: 900W x 370D x 1200H
Adj. Shelves: 2 x 25mm
Weight Capacity: 30 kg/shelf
Lock: Key lock
Colour: Group 1 (standard)
Colour Option 1: Group 2
Colour Option 2: Two-tone



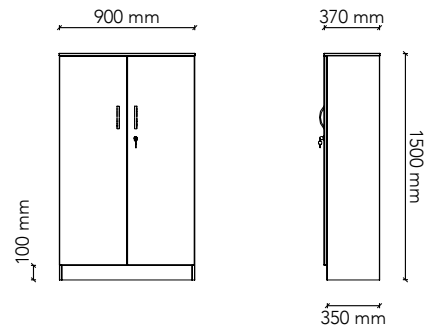
BOOKCASES.

with doors

Watts.

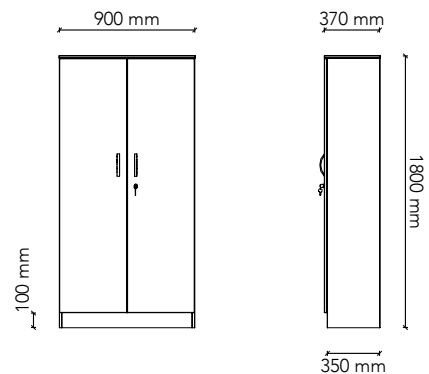
BD37-5

Bookcase Size: 900W x 370D x 1500H
Adj. Shelves: 3 x 25mm
Weight Capacity: 30 kg/shelf
Lock: Key lock
Colour: Group 1 (standard)
Colour Option 1: Group 2
Colour Option 2: Two-tone



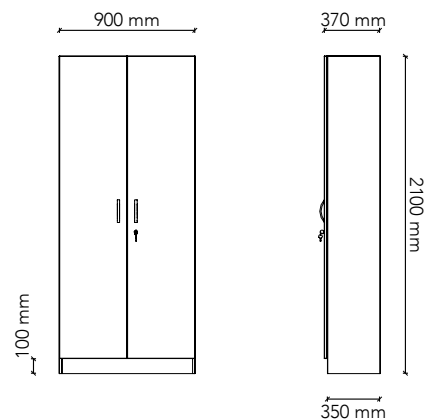
BD37-6

Bookcase Size: 900W x 370D x 1800H
Adj. Shelves: 4 x 25mm
Weight Capacity: 30 kg/shelf
Lock: Key lock
Colour: Group 1 (standard)
Colour Option 1: Group 2
Colour Option 2: Two-tone



BD37-7

Bookcase Size: 900W x 370D x 2100H
Adj. Shelves: 3 x 25mm + (1 fixed shelf)
Weight Capacity: 30 kg/shelf
Lock: Key lock
Colour: Group 1 (standard)
Colour Option 1: Group 2
Colour Option 2: Two-tone



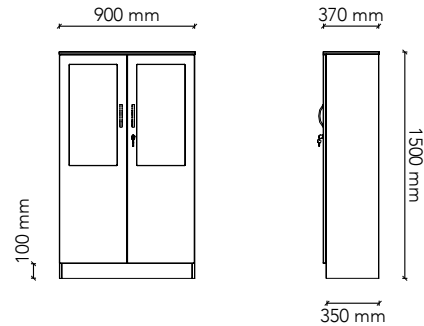
BOOKCASES.

with glass doors

Watts.

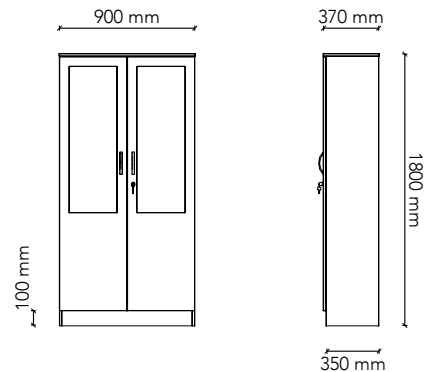
BH1

Bookcase Size: 900W x 370D x 1500H
 Adj. Shelves: 3 x 25mm
 Weight Capacity: 30 kg/shelf
 Lock: Key lock
 Glass Inserts: Half Height
 Colour: Group 1 (standard)
 Colour Option 1: Group 2
 Colour Option 2: Two-tone



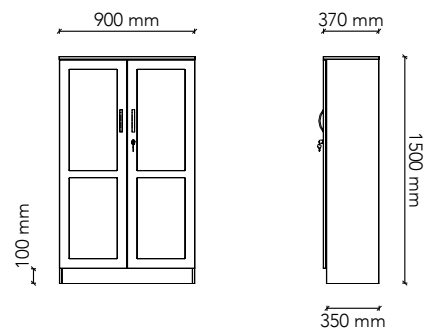
BH2

Bookcase Size: 900W x 370D x 1800H
 Adj. Shelves: 4 x 25mm
 Weight Capacity: 30 kg/shelf
 Lock: Key lock
 Glass Inserts: Half Height
 Colour: Group 1 (standard)
 Colour Option 1: Group 2
 Colour Option 2: Two-tone



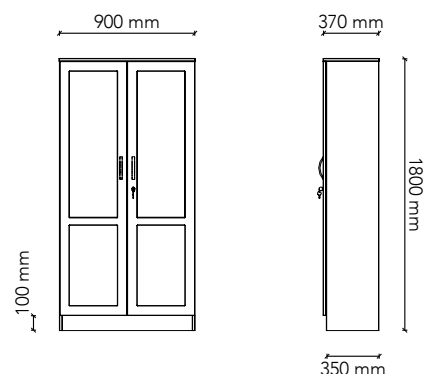
BG1

Bookcase Size: 900W x 370D x 1500H
 Adj. Shelves: 3 x 25mm
 Weight Capacity: 30 kg/shelf
 Lock: Key lock
 Glass Inserts: Full Height
 Colour: Group 1 (standard)
 Colour Option 1: Group 2
 Colour Option 2: Two-tone



BG2

Bookcase Size: 900W x 370D x 1800H
 Adj. Shelves: 4 x 25mm
 Weight Capacity: 30 kg/shelf
 Lock: Key lock
 Glass Inserts: Full Height
 Colour: Group 1 (standard)
 Colour Option 1: Group 2
 Colour Option 2: Two-tone



Watts.
Quality furniture since 1922



Watts Commercial Furniture
350a Edgar St
Bankstown NSW 2200

p: 02 9771 3966
f: 02 9771 6824

sales.watts@wcf.com.au
accounts.watts@wcf.com.au

www.wcf.com.au

Watts Commercial Furniture reserves the right to change any or all details without prior notice. Every effort has been made to ensure the information is accurate at the time of printing.

August 2019