



COAT CUPBOARDS

storage

Features

- Lockable Coat Cupboard with Shelf, Mirror & Coat Rod
- 25mm / 100mm kicker option
- Designed & Manufactured in Australia
- Wide range of colour options
- Two-tone colour option available
- Other sizes / configurations available on request

WARRANTY

10
Year

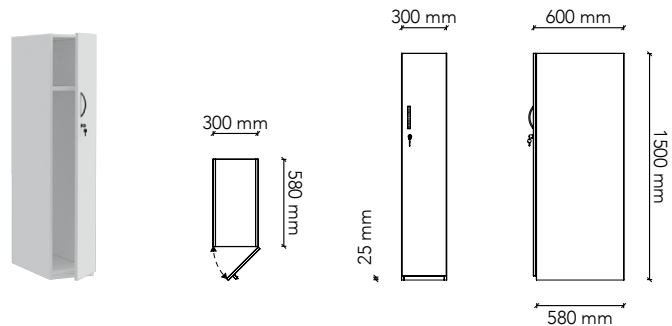
COAT CUPBOARDS.

hinged right hand side with 25mm kicker

Watts.

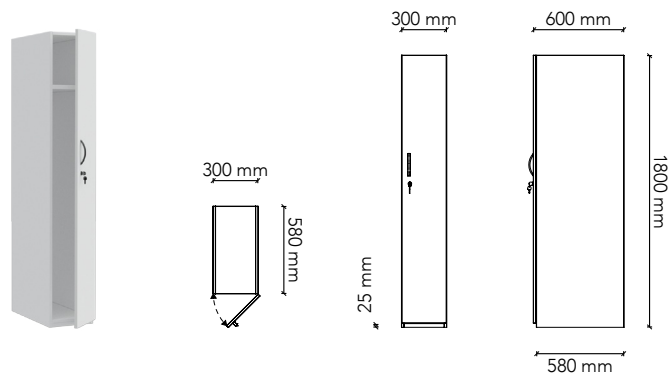
CC1-25-R

Dimensions: 300W x 600D x 1500H
Adj. Shelves: 1 x 25mm
Weight Capacity: 30 kg/shelf
Colour: Group 1 (standard)
Colour Option 1: Group 2
Colour Option 2: Two-tone
Lock: Key lock
Mirror: 200W x 400H
Coat Rod: 1
Door Hinged: Right



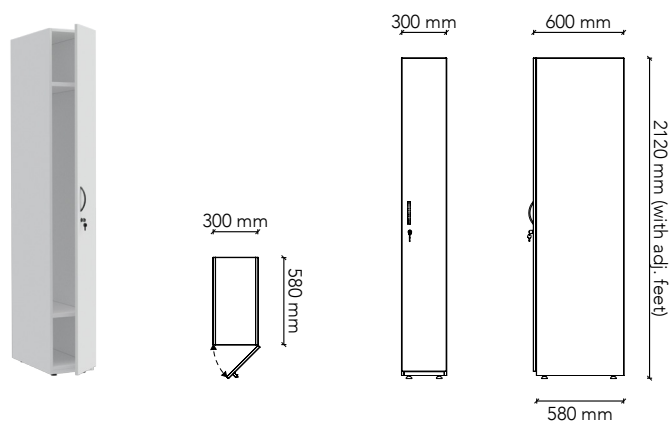
CC2-25-R

Dimensions: 300W x 600D x 1800H
Adj. Shelves: 1 x 25mm
Weight Capacity: 30 kg/shelf
Colour: Group 1 (standard)
Colour Option 1: Group 2
Colour Option 2: Two-tone
Lock: Key lock
Mirror: 200W x 400H
Coat Rod: 1
Door Hinged: Right



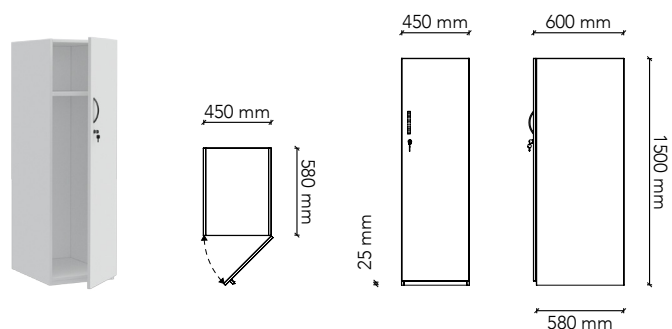
CC3-25-R

Dimensions: 300W x 600D x 2120H
Adj. Shelves: 2 x 25mm
Weight Capacity: 30 kg/shelf
Colour: Group 1 (standard)
Colour Option 1: Group 2
Colour Option 2: Two-tone
Lock: Key lock
Mirror: 200W x 400H
Coat Rod: 1
Door Hinged: Right



CC4-25-R

Dimensions: 450W x 600D x 1500H
Adj. Shelves: 1 x 25mm
Weight Capacity: 30 kg/shelf
Colour: Group 1 (standard)
Colour Option 1: Group 2
Colour Option 2: Two-tone
Lock: Key lock
Mirror: 300W x 400H
Coat Rod: 1
Door Hinged: Right



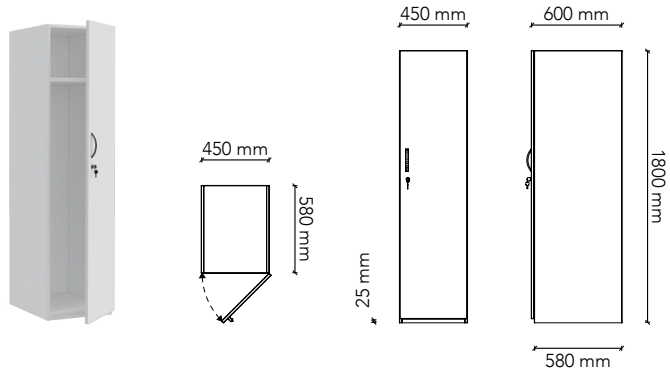
COAT CUPBOARDS.

hinged right hand side with 25mm kicker



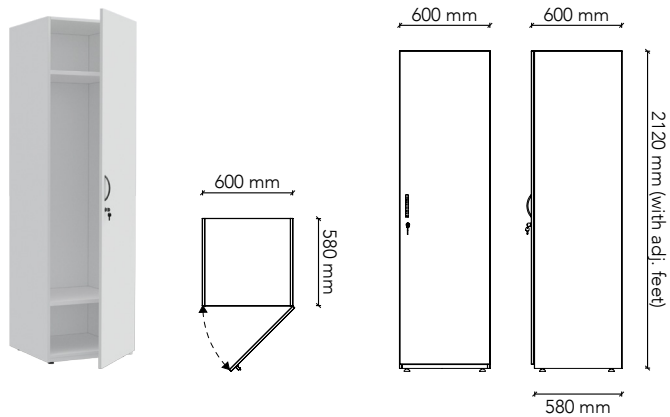
CC5-25-R

Dimensions: 450W x 600D x 1800H
Adj. Shelves: 1 x 25mm
Weight Capacity: 30 kg/shelf
Colour: Group 1 (standard)
Colour Option 1: Group 2
Colour Option 2: Two-tone
Lock: Key lock
Mirror: 300W x 400H
Coat Rod: 1
Door Hinged: Right



CC6-25-R

Dimensions: 600W x 600D x 2120H
Adj. Shelves: 2 x 25mm
Weight Capacity: 30 kg/shelf
Colour: Group 1 (standard)
Colour Option 1: Group 2
Colour Option 2: Two-tone
Lock: Key lock
Mirror: 300W x 400H
Coat Rod: 1
Door Hinged: Right



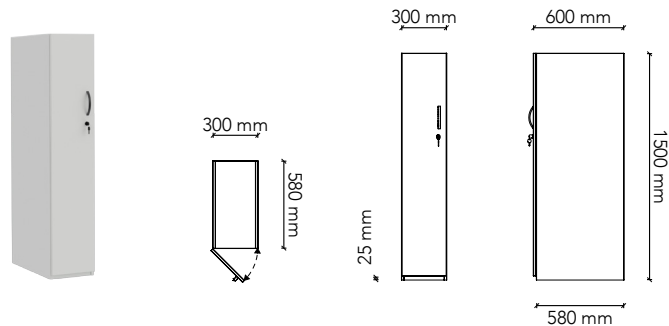
COAT CUPBOARDS.

hinged left hand side with 25mm kicker



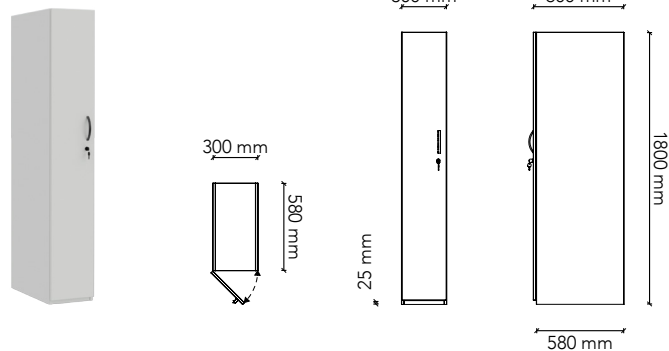
CC1-25-L

Dimensions: 300W x 600D x 1500H
 Adj. Shelves: 1 x 25mm
 Weight Capacity: 30 kg/shelf
 Colour: Group 1 (standard)
 Colour Option 1: Group 2
 Colour Option 2: Two-tone
 Lock: Key lock
 Mirror: 200W x 400H
 Coat Rod: 1
 Door Hinged: Left



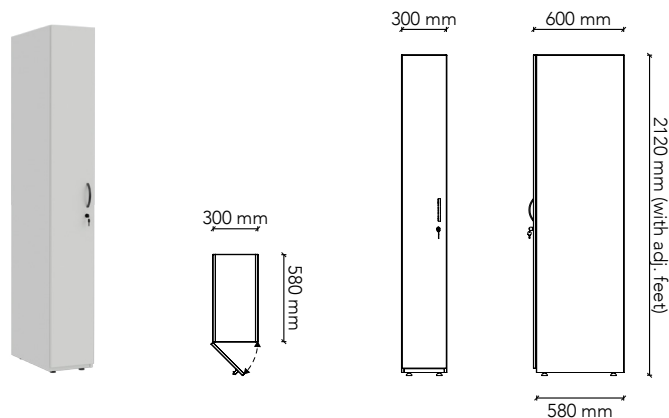
CC2-25-L

Dimensions: 300W x 600D x 1800H
 Adj. Shelves: 1 x 25mm
 Weight Capacity: 30 kg/shelf
 Colour: Group 1 (standard)
 Colour Option 1: Group 2
 Colour Option 2: Two-tone
 Lock: Key lock
 Mirror: 200W x 400H
 Coat Rod: 1
 Door Hinged: Left



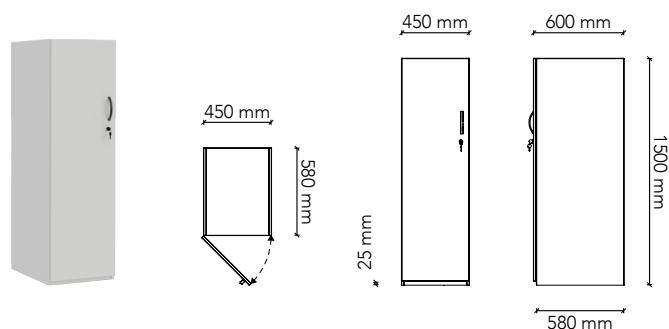
CC3-25-L

Dimensions: 300W x 600D x 2120H
 Adj. Shelves: 2 x 25mm
 Weight Capacity: 30 kg/shelf
 Colour: Group 1 (standard)
 Colour Option 1: Group 2
 Colour Option 2: Two-tone
 Lock: Key lock
 Mirror: 200W x 400H
 Coat Rod: 1
 Door Hinged: Left



CC4-25-L

Dimensions: 450W x 600D x 1500H
 Adj. Shelves: 1 x 25mm
 Weight Capacity: 30 kg/shelf
 Colour: Group 1 (standard)
 Colour Option 1: Group 2
 Colour Option 2: Two-tone
 Lock: Key lock
 Mirror: 300W x 400H
 Coat Rod: 1
 Door Hinged: Left



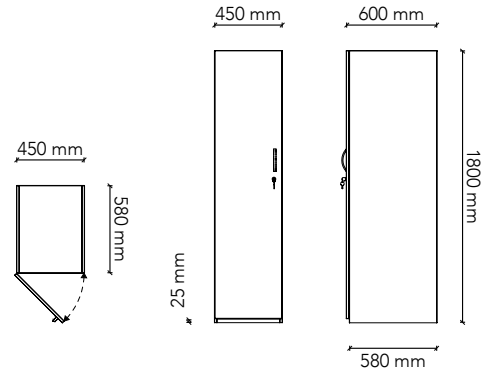
COAT CUPBOARDS.

hinged left hand side with 25mm kicker



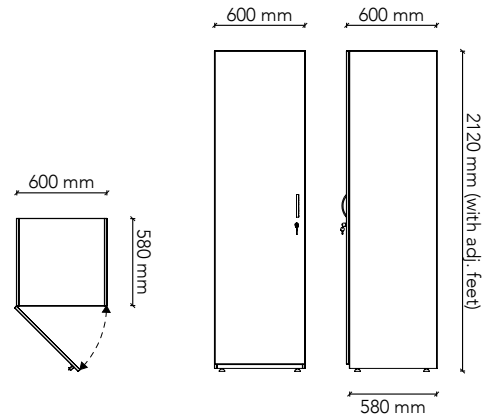
CC5-25-L

Dimensions: 450W x 600D x 1800H
Adj. Shelves: 1 x 25mm
Weight Capacity: 30 kg/shelf
Colour: Group 1 (standard)
Colour Option 1: Group 2
Colour Option 2: Two-tone
Lock: Key lock
Mirror: 300W x 400H
Coat Rod: 1
Door Hinged: Left



CC6-25-L

Dimensions: 600W x 600D x 2120H
Adj. Shelves: 2 x 25mm
Weight Capacity: 30 kg/shelf
Colour: Group 1 (standard)
Colour Option 1: Group 2
Colour Option 2: Two-tone
Lock: Key lock
Mirror: 300W x 400H
Coat Rod: 1
Door Hinged: Left



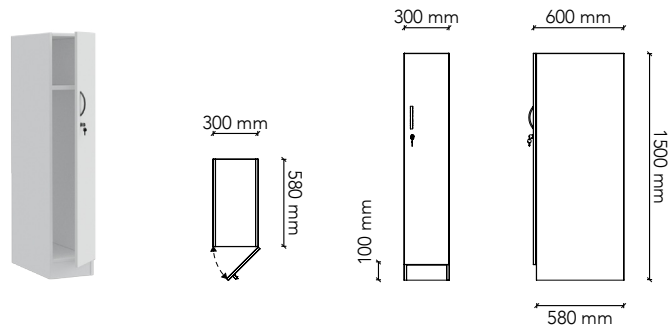
COAT CUPBOARDS.

hinged right hand side with 100mm kicker



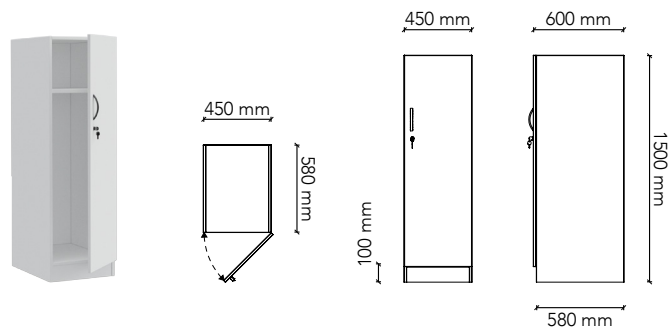
CC1-100-R

Dimensions: 300W x 600D x 1500H
 Adj. Shelves: 1 x 25mm
 Weight Capacity: 30 kg/shelf
 Colour: Group 1 (standard)
 Colour Option 1: Group 2
 Colour Option 2: Two-tone
 Lock: Key lock
 Mirror: 200W x 400H
 Coat Rod: 1
 Door Hinged: Right



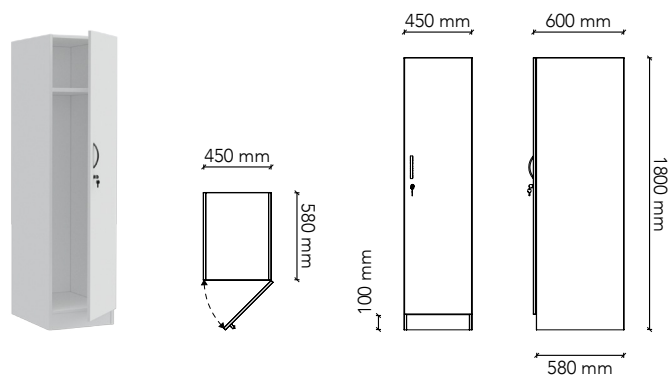
CC4-100-R

Dimensions: 450W x 600D x 1500H
 Adj. Shelves: 1 x 25mm
 Weight Capacity: 30 kg/shelf
 Colour: Group 1 (standard)
 Colour Option 1: Group 2
 Colour Option 2: Two-tone
 Lock: Key lock
 Mirror: 300W x 400H
 Coat Rod: 1
 Door Hinged: Right



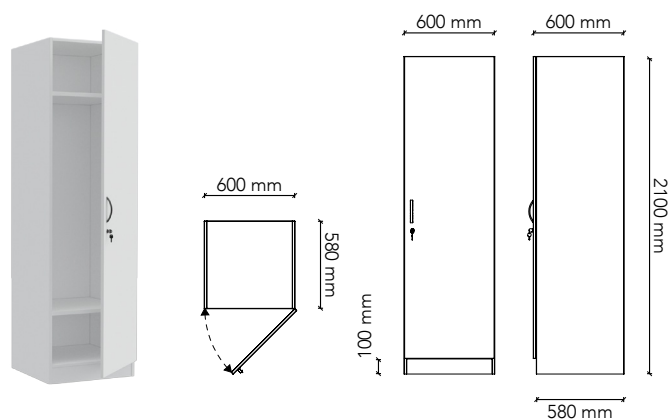
CC5-100-R

Dimensions: 450W x 600D x 1800H
 Adj. Shelves: 1 x 25mm
 Weight Capacity: 30 kg/shelf
 Colour: Group 1 (standard)
 Colour Option 1: Group 2
 Colour Option 2: Two-tone
 Lock: Key lock
 Mirror: 300W x 400H
 Coat Rod: 1
 Door Hinged: Right



CC6-100-R

Dimensions: 600W x 600D x 2100H
 Adj. Shelves: 2 x 25mm
 Weight Capacity: 30 kg/shelf
 Colour: Group 1 (standard)
 Colour Option 1: Group 2
 Colour Option 2: Two-tone
 Lock: Key lock
 Mirror: 300W x 400H
 Coat Rod: 1
 Door Hinged: Right



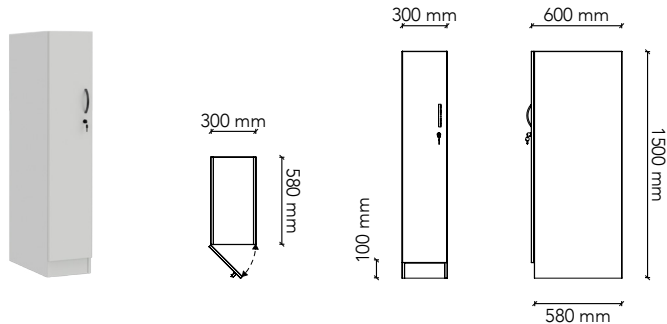
COAT CUPBOARDS.

hinged left hand side with 100mm kicker

Watts.

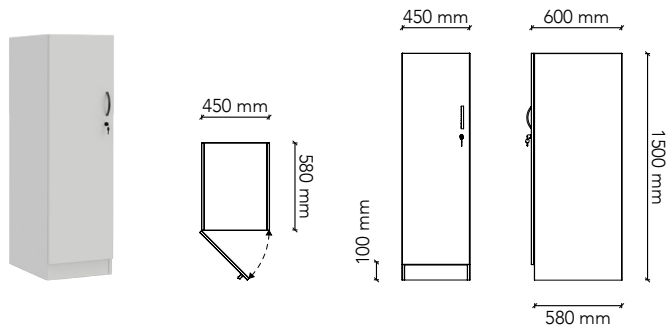
CC1-100-L

Dimensions: 300W x 600D x 1500H
 Adj. Shelves: 1 x 25mm
 Weight Capacity: 30 kg/shelf
 Colour: Group 1 (standard)
 Colour Option 1: Group 2
 Colour Option 2: Two-tone
 Lock: Key lock
 Mirror: 200W x 400H
 Coat Rod: 1
 Door Hinged: Left



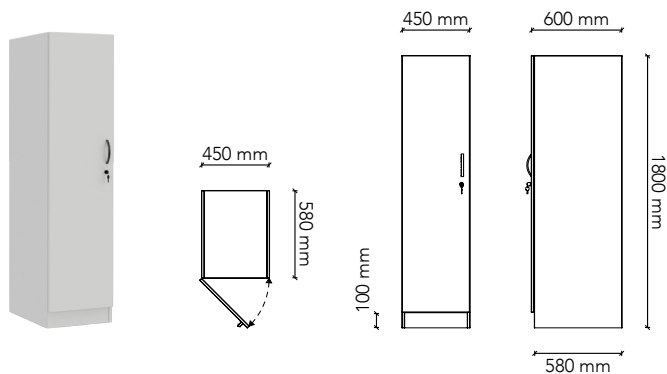
CC4-100-L

Dimensions: 450W x 600D x 1500H
 Adj. Shelves: 1 x 25mm
 Weight Capacity: 30 kg/shelf
 Colour: Group 1 (standard)
 Colour Option 1: Group 2
 Colour Option 2: Two-tone
 Lock: Key lock
 Mirror: 300W x 400H
 Coat Rod: 1
 Door Hinged: Left



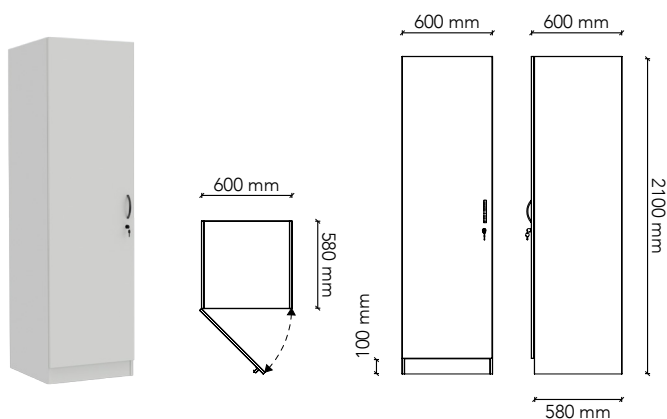
CC5-100-L

Dimensions: 450W x 600D x 1800H
 Adj. Shelves: 1 x 25mm
 Weight Capacity: 30 kg/shelf
 Colour: Group 1 (standard)
 Colour Option 1: Group 2
 Colour Option 2: Two-tone
 Lock: Key lock
 Mirror: 300W x 400H
 Coat Rod: 1
 Door Hinged: Left



CC6-100-L

Dimensions: 600W x 600D x 2100H
 Adj. Shelves: 2 x 25mm
 Weight Capacity: 30 kg/shelf
 Colour: Group 1 (standard)
 Colour Option 1: Group 2
 Colour Option 2: Two-tone
 Lock: Key lock
 Mirror: 300W x 400H
 Coat Rod: 1
 Door Hinged: Left





Watts Commercial Furniture
350a Edgar St
Bankstown NSW 2200

p: 02 9771 3966
f: 02 9771 6824

sales.watts@wcf.com.au
accounts.watts@wcf.com.au

www.wcf.com.au

Watts Commercial Furniture reserves the right to change any or all details without prior notice. Every effort has been made to ensure the information is accurate at the time of printing.

August 2019