



## CREDENZA

storage

### Features

- 450mm / 600mm Deep option
- 720mm / 900mm High option
- Designed & Manufactured in Australia
- Adjustable shelves - 30 kg/shelf
- Wide range of colour options
- Two-tone colour option available
- Other sizes / configurations available on request

WARRANTY

**10**  
Year

# Contents

## **Credenza.**

CZ45	450D x 720H.	p.3
CZ45H	450D x 900H.	p.4
CZ60	600D x 720H.	p.5
CZ60H	600D x 900H.	p.6

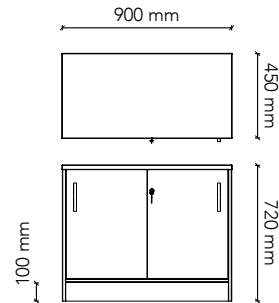
# CREDENZA.

450D x 720H

# Watts.

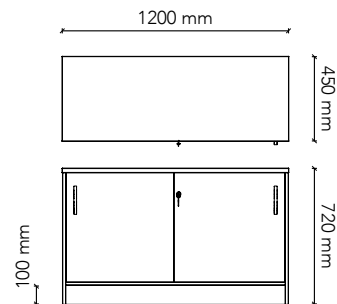
## CZ45-1

Unit Size: 900W x 450D x 720H  
Divider: None  
Adj. Shelves: 1 x 25mm  
Weight Capacity: 30 kg/shelf  
Doors: Sliding doors  
Lock: Push lock  
Colour: Group 1 (standard)  
Colour Option 1: Group 2  
Colour Option 2: Two-tone



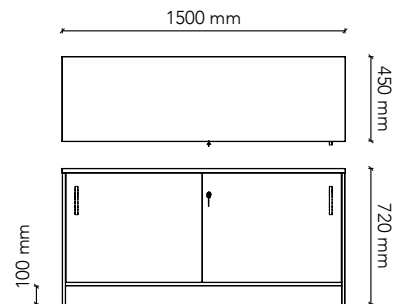
## CZ45-2

Unit Size: 1200W x 450D x 720H  
Divider: 1 x Center divider  
Adj. Shelves: 2 x 25mm  
Weight Capacity: 30 kg/shelf  
Doors: Sliding doors  
Lock: Push lock  
Colour: Group 1 (standard)  
Colour Option 1: Group 2  
Colour Option 2: Two-tone



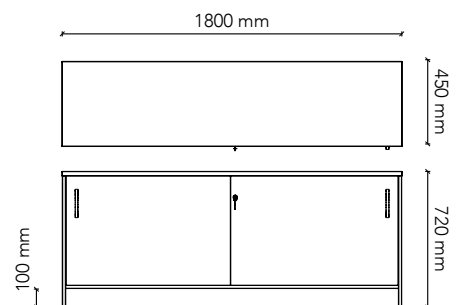
## CZ45-3

Unit Size: 1500W x 450D x 720H  
Divider: 1 x Center divider  
Adj. Shelves: 2 x 25mm  
Weight Capacity: 30 kg/shelf  
Doors: Sliding doors  
Lock: Push lock  
Colour: Group 1 (standard)  
Colour Option 1: Group 2  
Colour Option 2: Two-tone



## CZ45-4

Unit Size: 1800W x 450D x 720H  
Divider: 1 x Center divider  
Adj. Shelves: 2 x 25mm  
Weight Capacity: 30 kg/shelf  
Doors: Sliding doors  
Lock: Push lock  
Colour: Group 1 (standard)  
Colour Option 1: Group 2  
Colour Option 2: Two-tone



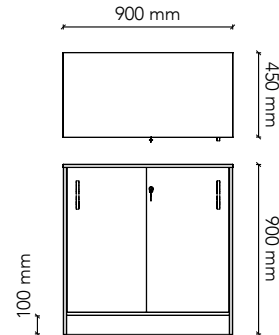
# CREDENZA.

450D x 900H

# Watts.

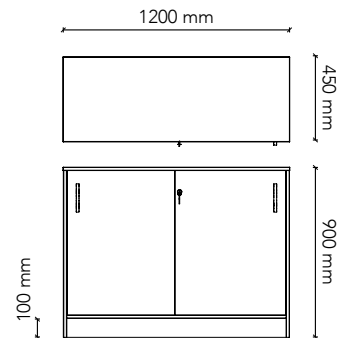
## CZ45H-1

Unit Size: 900W x 450D x 900H  
Divider: None  
Adj. Shelves: 2 x 25mm  
Weight Capacity: 30 kg/shelf  
Doors: Sliding doors  
Lock: Push lock  
Colour: Group 1 (standard)  
Colour Option 1: Group 2  
Colour Option 2: Two-tone



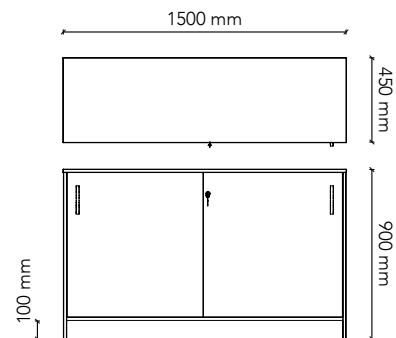
## CZ45H-2

Unit Size: 1200W x 450D x 900H  
Divider: 1 x Center divider  
Adj. Shelves: 4 x 25mm  
Weight Capacity: 30 kg/shelf  
Doors: Sliding doors  
Lock: Push lock  
Colour: Group 1 (standard)  
Colour Option 1: Group 2  
Colour Option 2: Two-tone



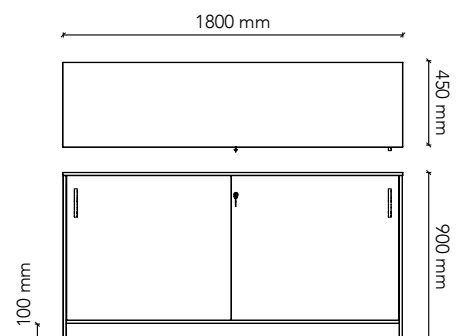
## CZ45H-3

Unit Size: 1500W x 450D x 900H  
Divider: 1 x Center divider  
Adj. Shelves: 4 x 25mm  
Weight Capacity: 30 kg/shelf  
Doors: Sliding doors  
Lock: Push lock  
Colour: Group 1 (standard)  
Colour Option 1: Group 2  
Colour Option 2: Two-tone



## CZ45H-4

Unit Size: 1800W x 450D x 900H  
Divider: 1 x Center divider  
Adj. Shelves: 4 x 25mm  
Weight Capacity: 30 kg/shelf  
Doors: Sliding doors  
Lock: Push lock  
Colour: Group 1 (standard)  
Colour Option 1: Group 2  
Colour Option 2: Two-tone



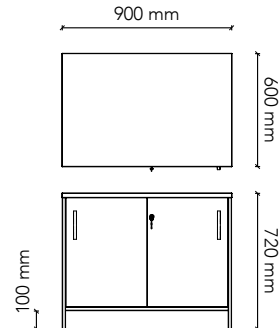
# CREDENZA.

600D x 720H



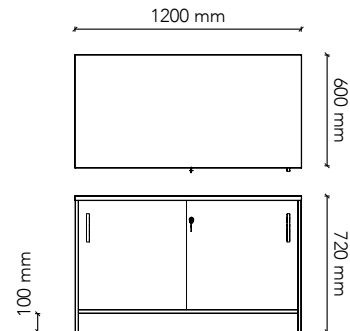
## CZ60-5

Unit Size: 900W x 600D x 720H  
 Divider: None  
 Adj. Shelves: 1 x 25mm  
 Weight Capacity: 30 kg/shelf  
 Doors: Sliding doors  
 Lock: Push lock  
 Colour: Group 1 (standard)  
 Colour Option 1: Group 2  
 Colour Option 2: Two-tone



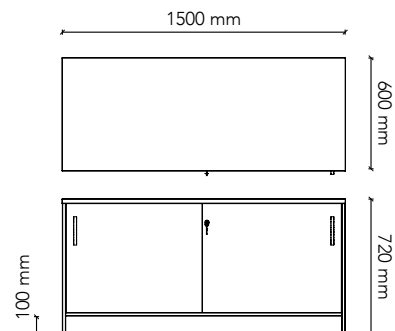
## CZ60-6

Unit Size: 1200W x 600D x 720H  
 Divider: 1 x Center divider  
 Adj. Shelves: 2 x 25mm  
 Weight Capacity: 30 kg/shelf  
 Doors: Sliding doors  
 Lock: Push lock  
 Colour: Group 1 (standard)  
 Colour Option 1: Group 2  
 Colour Option 2: Two-tone



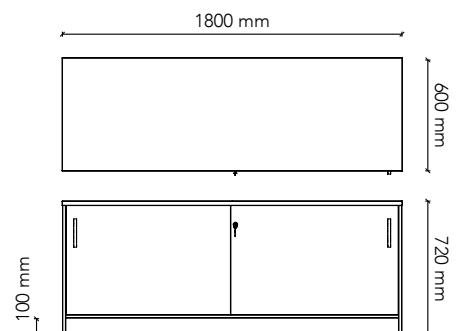
## CZ60-7

Unit Size: 1500W x 600D x 720H  
 Divider: 1 x Center divider  
 Adj. Shelves: 2 x 25mm  
 Weight Capacity: 30 kg/shelf  
 Doors: Sliding doors  
 Lock: Push lock  
 Colour: Group 1 (standard)  
 Colour Option 1: Group 2  
 Colour Option 2: Two-tone



## CZ60-8

Unit Size: 1800W x 600D x 720H  
 Divider: 1 x Center divider  
 Adj. Shelves: 2 x 25mm  
 Weight Capacity: 30 kg/shelf  
 Doors: Sliding doors  
 Lock: Push lock  
 Colour: Group 1 (standard)  
 Colour Option 1: Group 2  
 Colour Option 2: Two-tone



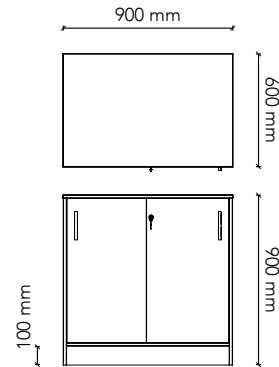
# CREDENZA.

600D x 900H

# Watts.

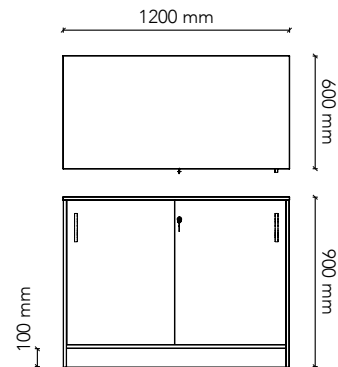
## CZ60H-5

Unit Size: 900W x 600D x 900H  
Divider: None  
Adj. Shelves: 2 x 25mm  
Weight Capacity: 30 kg/shelf  
Doors: Sliding doors  
Lock: Push lock  
Colour: Group 1 (standard)  
Colour Option 1: Group 2  
Colour Option 2: Two-tone



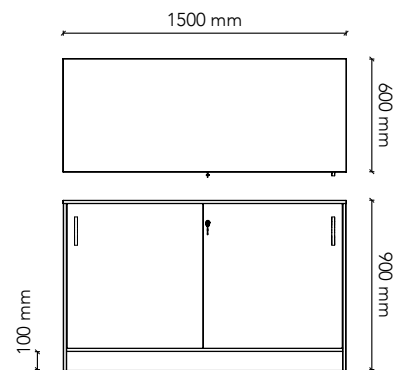
## CZ60H-6

Unit Size: 1200W x 600D x 900H  
Divider: 1 x Center divider  
Adj. Shelves: 4 x 25mm  
Weight Capacity: 30 kg/shelf  
Doors: Sliding doors  
Lock: Push lock  
Colour: Group 1 (standard)  
Colour Option 1: Group 2  
Colour Option 2: Two-tone



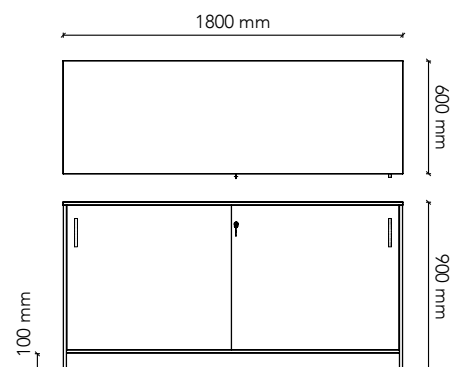
## CZ60H-7

Unit Size: 1500W x 600D x 900H  
Divider: 1 x Center divider  
Adj. Shelves: 4 x 25mm  
Weight Capacity: 30 kg/shelf  
Doors: Sliding doors  
Lock: Push lock  
Colour: Group 1 (standard)  
Colour Option 1: Group 2  
Colour Option 2: Two-tone



## CZ60H-8

Unit Size: 1800W x 600D x 900H  
Divider: 1 x Center divider  
Adj. Shelves: 4 x 25mm  
Weight Capacity: 30 kg/shelf  
Doors: Sliding doors  
Lock: Push lock  
Colour: Group 1 (standard)  
Colour Option 1: Group 2  
Colour Option 2: Two-tone



**Watts.**  
Quality furniture since 1922



Watts Commercial Furniture  
350a Edgar St  
Bankstown NSW 2200

p: 02 9771 3966  
f: 02 9771 6824

sales.watts@wcf.com.au  
accounts.watts@wcf.com.au

**[www.wcf.com.au](http://www.wcf.com.au)**

Watts Commercial Furniture reserves the right to change any or all details without prior notice. Every effort has been made to ensure the information is accurate at the time of printing.

August 2019