



HUTCH

storage

Features

- Hutch - open / with doors
- Height 1200 / 1400 option
- Adjustable shelves - 30 kg/shelf
- Designed & Manufactured in Australia
- Wide range of colour options
- Two-tone colour option available
- Other sizes / configurations available on request

WARRANTY

10
Year

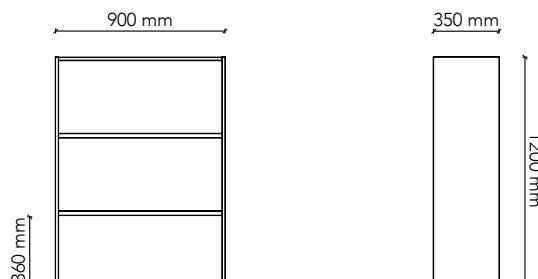
Contents

Hutch.

Open - 1200H.	p.3
Open - 1400H.	p.4
With Doors - 1200H.	p.5
With Doors - 1400H.	p.6

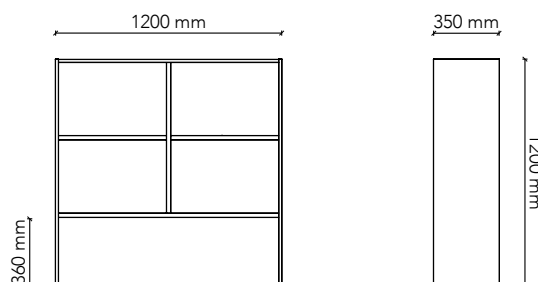
HO129

Dimensions: 900W x 350D
 Height: 1200H
 Adj. Shelves: 1 x 25mm
 Fixed Shelf: 1 @ 360H
 Weight Capacity: 30 kg/shelf
 Colour: Group 1 (standard)
 Colour Option 1: Group 2
 Colour Option 2: Two-tone



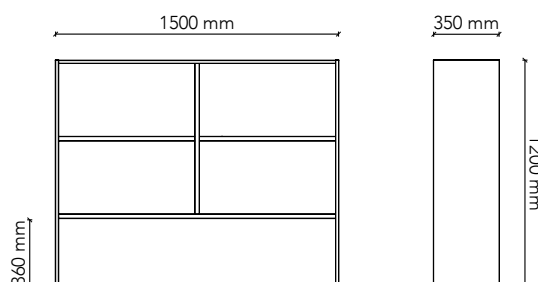
HO1212

Dimensions: 1200W x 350D
 Height: 1200H
 Adj. Shelves: 2 x 25mm
 Fixed Shelf: 1 @ 360H
 Weight Capacity: 30 kg/shelf
 Colour: Group 1 (standard)
 Colour Option 1: Group 2
 Colour Option 2: Two-tone



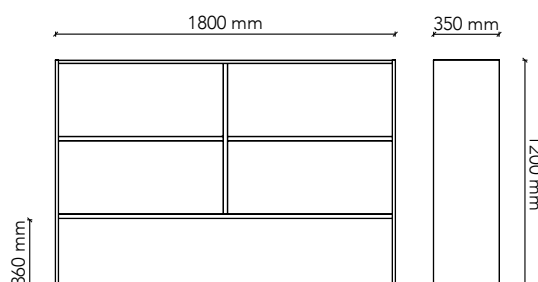
HO1215

Dimensions: 1500W x 350D
 Height: 1200H
 Adj. Shelves: 2 x 25mm
 Fixed Shelf: 1 @ 360H
 Weight Capacity: 30 kg/shelf
 Colour: Group 1 (standard)
 Colour Option 1: Group 2
 Colour Option 2: Two-tone



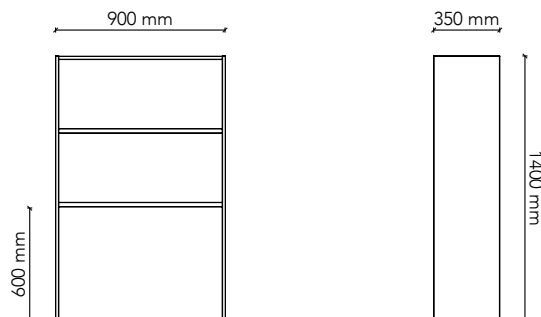
HO1218

Dimensions: 1800W x 350D
 Height: 1200H
 Adj. Shelves: 2 x 25mm
 Fixed Shelf: 1 @ 360H
 Weight Capacity: 30 kg/shelf
 Colour: Group 1 (standard)
 Colour Option 1: Group 2
 Colour Option 2: Two-tone



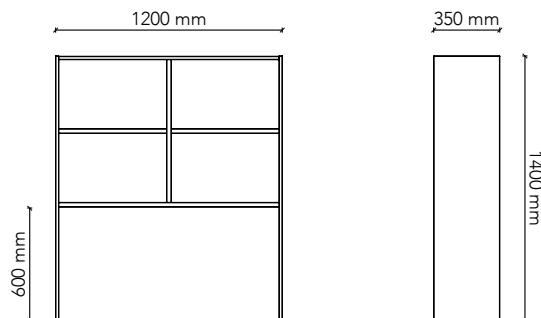
HO149

Dimensions: 900W x 350D
 Height: 1400H
 Adj. Shelves: 1 x 25mm
 Fixed Shelf: 1 @ 600H
 Weight Capacity: 30 kg/shelf
 Colour: Group 1 (standard)
 Colour Option 1: Group 2
 Colour Option 2: Two-tone



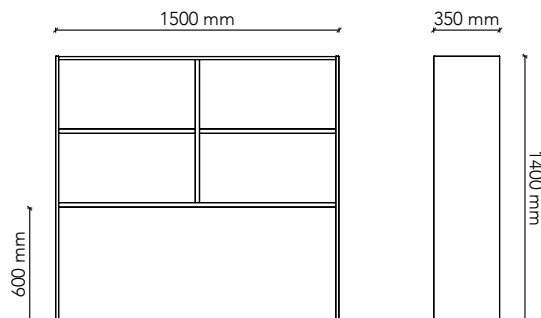
HO1412

Dimensions: 1200W x 350D
 Height: 1400H
 Adj. Shelves: 2 x 25mm
 Fixed Shelf: 1 @ 600H
 Weight Capacity: 30 kg/shelf
 Colour: Group 1 (standard)
 Colour Option 1: Group 2
 Colour Option 2: Two-tone



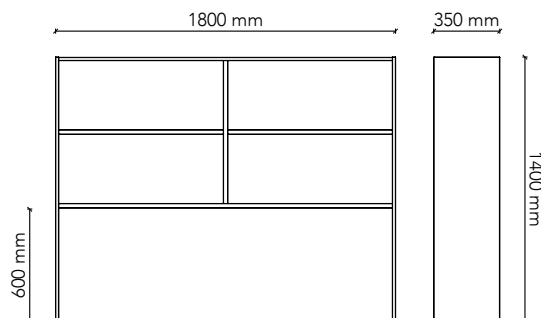
HO1415

Dimensions: 1500W x 350D
 Height: 1400H
 Adj. Shelves: 2 x 25mm
 Fixed Shelf: 1 @ 600H
 Weight Capacity: 30 kg/shelf
 Colour: Group 1 (standard)
 Colour Option 1: Group 2
 Colour Option 2: Two-tone



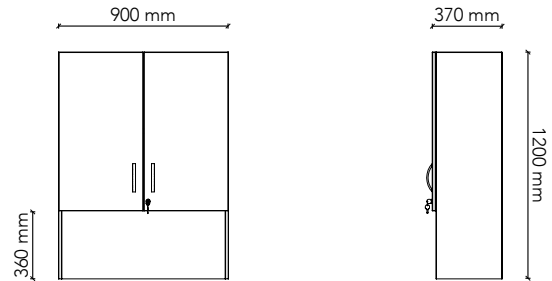
HO1418

Dimensions: 1800W x 350D
 Height: 1400H
 Adj. Shelves: 2 x 25mm
 Fixed Shelf: 1 @ 600H
 Weight Capacity: 30 kg/shelf
 Colour: Group 1 (standard)
 Colour Option 1: Group 2
 Colour Option 2: Two-tone



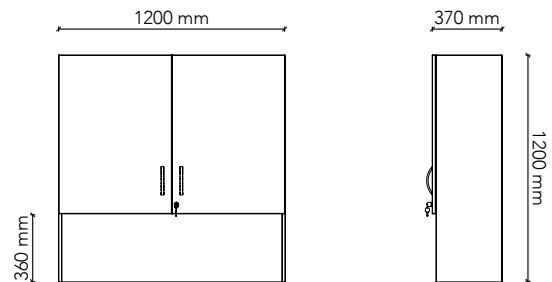
HD129

Dimensions: 900W x 370D
 Height: 1200H
 Adj. Shelves: 1 x 25mm
 Fixed Shelf: 1 @ 360H
 Weight Capacity: 30 kg/shelf
 Colour: Group 1 (standard)
 Colour Option 1: Group 2
 Colour Option 2: Two-tone



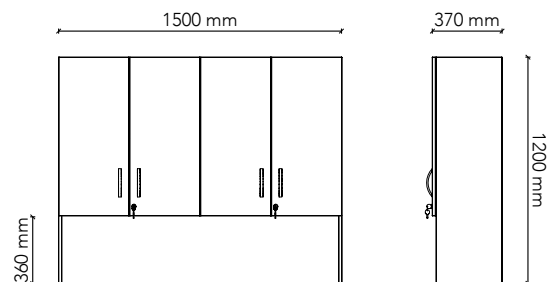
HD1212

Dimensions: 1200W x 370D
 Height: 1200H
 Adj. Shelves: 2 x 25mm
 Fixed Shelf: 1 @ 360H
 Weight Capacity: 30 kg/shelf
 Colour: Group 1 (standard)
 Colour Option 1: Group 2
 Colour Option 2: Two-tone



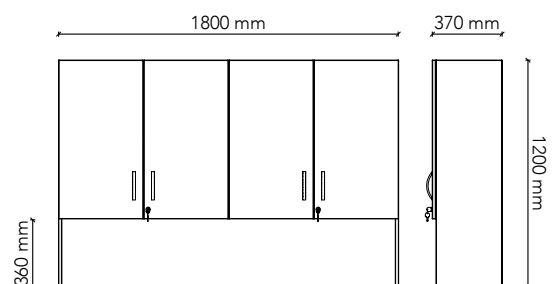
HD1215

Dimensions: 1500W x 370D
 Height: 1200H
 Adj. Shelves: 2 x 25mm
 Fixed Shelf: 1 @ 360H
 Weight Capacity: 30 kg/shelf
 Colour: White (Standard)
 Colour Option 1: Group 1
 Colour Option 2: Two-tone



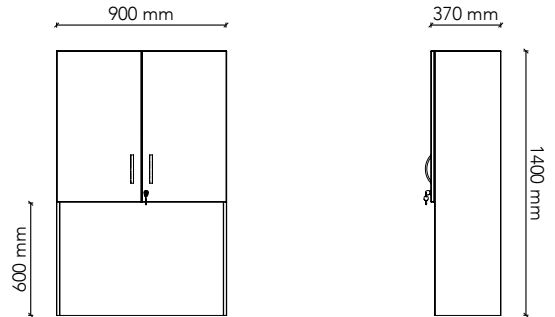
HD1218

Dimensions: 1800W x 370D
 Height: 1200H
 Adj. Shelves: 2 x 25mm
 Fixed Shelf: 1 @ 360H
 Weight Capacity: 30 kg/shelf
 Colour: Group 1 (standard)
 Colour Option 1: Group 2
 Colour Option 2: Two-tone



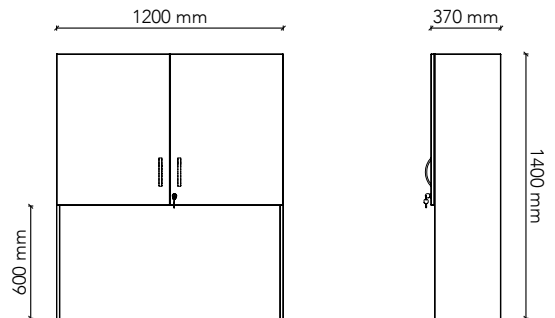
HD149

Dimensions: 900W x 370D
 Height: 1400H
 Adj. Shelves: 1 x 25mm
 Fixed Shelf: 1 @ 600H
 Weight Capacity: 30 kg/shelf
 Colour: Group 1 (standard)
 Colour Option 1: Group 2
 Colour Option 2: Two-tone



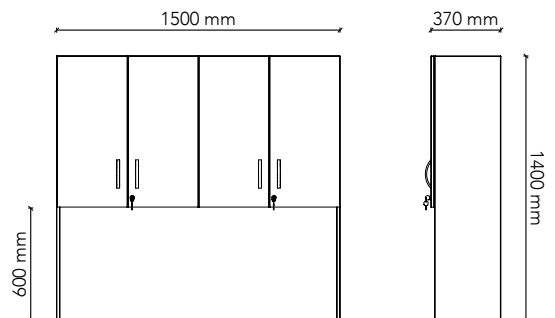
HD1412

Dimensions: 1200W x 370D
 Height: 1400H
 Adj. Shelves: 2 x 25mm
 Fixed Shelf: 1 @ 600H
 Weight Capacity: 30 kg/shelf
 Colour: Group 1 (standard)
 Colour Option 1: Group 2
 Colour Option 2: Two-tone



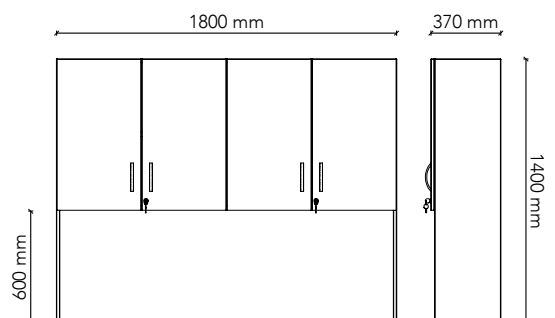
HD1415

Dimensions: 1500W x 370D
 Height: 1400H
 Adj. Shelves: 2 x 25mm
 Fixed Shelf: 1 @ 600H
 Weight Capacity: 30 kg/shelf
 Colour: Group 1 (standard)
 Colour Option 1: Group 2
 Colour Option 2: Two-tone



HD1418

Dimensions: 1800W x 370D
 Height: 1400H
 Adj. Shelves: 2 x 25mm
 Fixed Shelf: 1 @ 600H
 Weight Capacity: 30 kg/shelf
 Colour: Group 1 (standard)
 Colour Option 1: Group 2
 Colour Option 2: Two-tone



Watts.
Quality furniture since 1922



Watts Commercial Furniture
350a Edgar St
Bankstown NSW 2200

p: 02 9771 3966
f: 02 9771 6824

sales.watts@wcf.com.au
accounts.watts@wcf.com.au

www.wcf.com.au

Watts Commercial Furniture reserves the right to change any or all details without prior notice. Every effort has been made to ensure the information is accurate at the time of printing.

August 2019