



## STORAGE UNITS

storage

### Features

- Storage Units - open / with doors
- 470 / 600 mm Deep, 900 / 1200 mm Wide
- Designed & Manufactured in Australia
- Adjustable shelves - 30 kg/shelf
- Wide range of colour options
- Two-tone colour option available
- Other sizes / configurations available on request

WARRANTY

**10**  
Year

# Contents

## Storage Units.

SO47	900W x 470D - Open.	p.3 - p.4
SD47	900W x 470D - With Doors.	p.5 - p.6
SO60	900W x 600D - Open.	p.7 - p.8
SD60	900W x 600D - With Doors.	p.9 - p.10
SOW47	1200W x 470D - Open.	p.11 - p.12
SDW47	1200W x 470D - With Doors.	p.13 - p.14
SOW60	1200W x 600D - Open.	p.15 - p.16
SDW60	1200W x 600D - With Doors.	p.17 - p.18

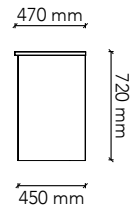
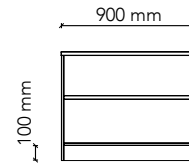
# STORAGE UNITS.

900W x 470D - open

# Watts.

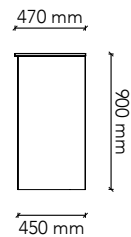
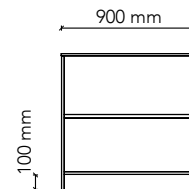
## SO47-1

Unit Size: 900W x 470D x 720H  
Adj. Shelves: 1 x 25mm  
Weight Capacity: 30 kg/shelf  
Colour: Group 1 (standard)  
Colour Option 1: Group 2  
Colour Option 2: Two-tone



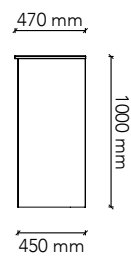
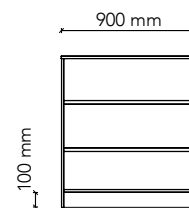
## SO47-2

Unit Size: 900W x 470D x 900H  
Adj. Shelves: 1 x 25mm  
Weight Capacity: 30 kg/shelf  
Colour: Group 1 (standard)  
Colour Option 1: Group 2  
Colour Option 2: Two-tone



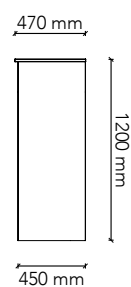
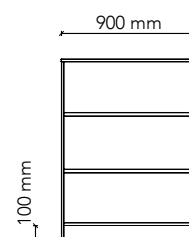
## SO47-3

Unit Size: 900W x 470D x 1000H  
Adj. Shelves: 2 x 25mm  
Weight Capacity: 30 kg/shelf  
Colour: Group 1 (standard)  
Colour Option 1: Group 2  
Colour Option 2: Two-tone



## SO47-4

Unit Size: 900W x 470D x 1200H  
Adj. Shelves: 2 x 25mm  
Weight Capacity: 30 kg/shelf  
Colour: Group 1 (standard)  
Colour Option 1: Group 2  
Colour Option 2: Two-tone



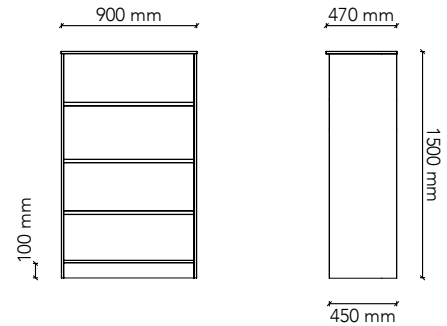
# STORAGE UNITS.

900W x 470D - open



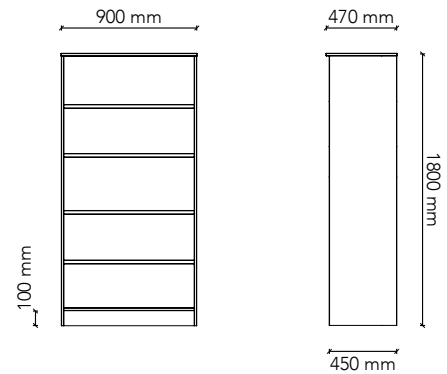
## SO47-5

Unit Size: 900W x 470D x 1500H  
Adj. Shelves: 3 x 25mm  
Weight Capacity: 30 kg/shelf  
Colour: Group 1 (standard)  
Colour Option 1: Group 2  
Colour Option 2: Two-tone



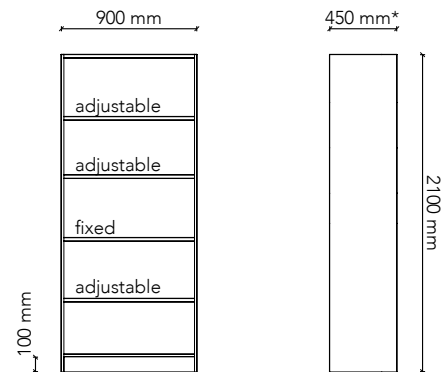
## SO47-6

Unit Size: 900W x 470D x 1800H  
Adj. Shelves: 4 x 25mm  
Weight Capacity: 30 kg/shelf  
Colour: Group 1 (standard)  
Colour Option 1: Group 2  
Colour Option 2: Two-tone



## SO47-7

Unit Size: 900W x 450D x 2100H  
Adj. Shelves: 3 x 25mm + (1 fixed shelf)  
Weight Capacity: 30 kg/shelf  
Colour: Group 1 (standard)  
Colour Option 1: Group 2  
Colour Option 2: Two-tone



NOTES: \*OVERALL DEPTH 450mm

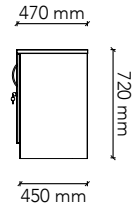
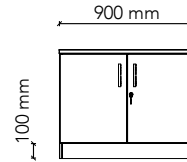
# STORAGE UNITS.

900W x 470D - with doors



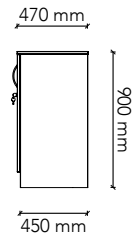
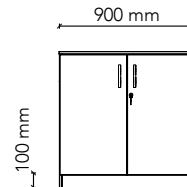
## SD47-1

Unit Size: 900W x 470D x 720H  
Adj. Shelves: 1 x 25mm  
Weight Capacity: 30 kg/shelf  
Lock: Key lock  
Colour: Group 1 (standard)  
Colour Option 1: Group 2  
Colour Option 2: Two-tone



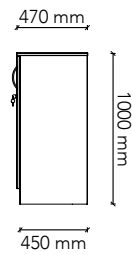
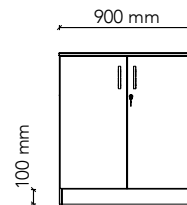
## SD47-2

Unit Size: 900W x 470D x 900H  
Adj. Shelves: 1 x 25mm  
Weight Capacity: 30 kg/shelf  
Lock: Key lock  
Colour: Group 1 (standard)  
Colour Option 1: Group 2  
Colour Option 2: Two-tone



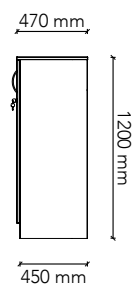
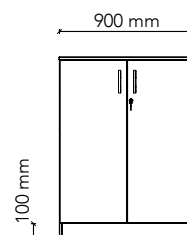
## SD47-3

Unit Size: 900W x 470D x 1000H  
Adj. Shelves: 2 x 25mm  
Weight Capacity: 30 kg/shelf  
Lock: Key lock  
Colour: Group 1 (standard)  
Colour Option 1: Group 2  
Colour Option 2: Two-tone



## SD47-4

Unit Size: 900W x 470D x 1200H  
Adj. Shelves: 2 x 25mm  
Weight Capacity: 30 kg/shelf  
Lock: Key lock  
Colour: Group 1 (standard)  
Colour Option 1: Group 2  
Colour Option 2: Two-tone



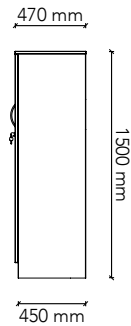
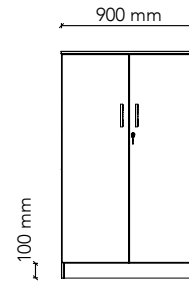
# STORAGE UNITS.

900W x 470D - with doors



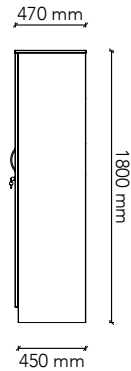
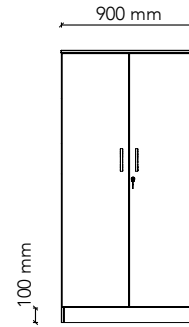
## SD47-5

Unit Size: 900W x 470D x 1500H  
 Adj. Shelves: 3 x 25mm  
 Weight Capacity: 30 kg/shelf  
 Lock: Key lock  
 Colour: Group 1 (standard)  
 Colour Option 1: Group 2  
 Colour Option 2: Two-tone



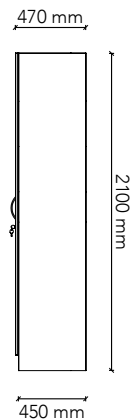
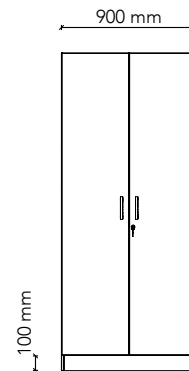
## SD47-6

Unit Size: 900W x 470D x 1800H  
 Adj. Shelves: 4 x 25mm  
 Weight Capacity: 30 kg/shelf  
 Lock: Key lock  
 Colour: Group 1 (standard)  
 Colour Option 1: Group 2  
 Colour Option 2: Two-tone



## SD47-7

Unit Size: 900W x 470D x 2100H  
 Adj. Shelves: 3 x 25mm + (1 fixed shelf)  
 Weight Capacity: 30 kg/shelf  
 Lock: Key lock  
 Colour: Group 1 (standard)  
 Colour Option 1: Group 2  
 Colour Option 2: Two-tone



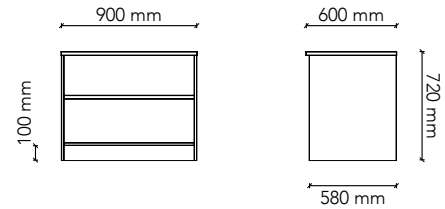
# STORAGE UNITS.

900W x 600D - open

# Watts.

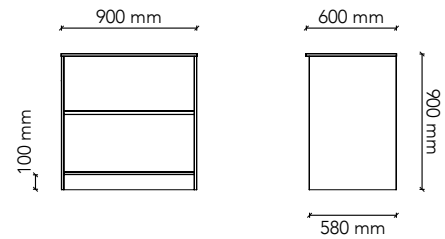
## SO60-1

Unit Size: 900W x 600D x 720H  
Adj. Shelves: 1 x 25mm  
Weight Capacity: 30 kg/shelf  
Colour: Group 1 (standard)  
Colour Option 1: Group 2  
Colour Option 2: Two-tone



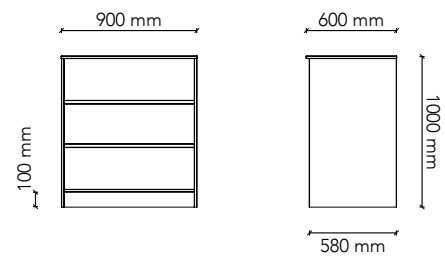
## SO60-2

Unit Size: 900W x 600D x 900H  
Adj. Shelves: 1 x 25mm  
Weight Capacity: 30 kg/shelf  
Colour: Group 1 (standard)  
Colour Option 1: Group 2  
Colour Option 2: Two-tone



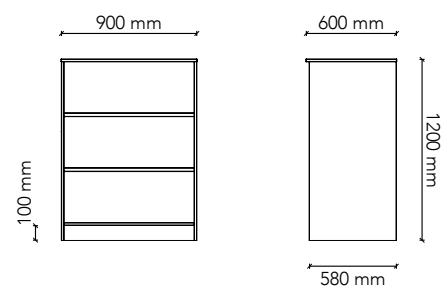
## SO60-3

Unit Size: 900W x 600D x 1000H  
Adj. Shelves: 2 x 25mm  
Weight Capacity: 30 kg/shelf  
Colour: Group 1 (standard)  
Colour Option 1: Group 2  
Colour Option 2: Two-tone



## SO60-4

Unit Size: 900W x 600D x 1200H  
Adj. Shelves: 2 x 25mm  
Weight Capacity: 30 kg/shelf  
Colour: Group 1 (standard)  
Colour Option 1: Group 2  
Colour Option 2: Two-tone



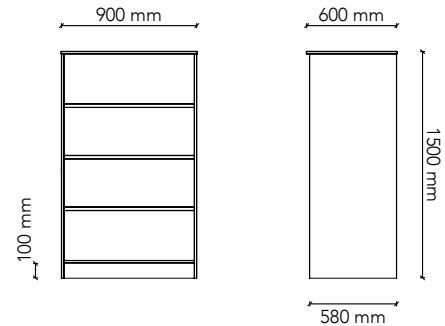
# STORAGE UNITS.

900W x 600D - open



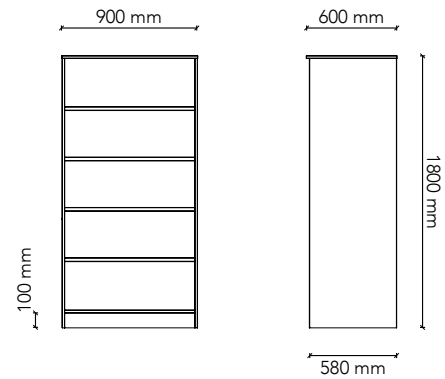
## SO60-5

Unit Size: 900W x 600D x 1500H  
Adj. Shelves: 3 x 25mm  
Weight Capacity: 30 kg/shelf  
Colour: Group 1 (standard)  
Colour Option 1: Group 2  
Colour Option 2: Two-tone



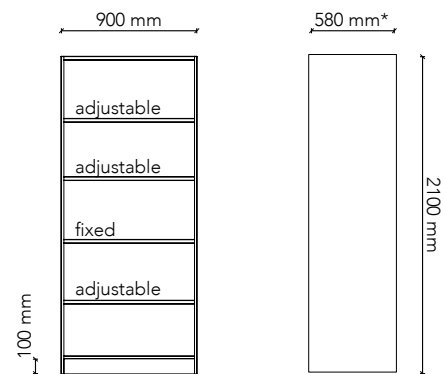
## SO60-6

Unit Size: 900W x 600D x 1800H  
Adj. Shelves: 4 x 25mm  
Weight Capacity: 30 kg/shelf  
Colour: Group 1 (standard)  
Colour Option 1: Group 2  
Colour Option 2: Two-tone



## SO60-7

Unit Size: 900W x 580D x 2100H  
Adj. Shelves: 3 x 25mm + (1 fixed shelf)  
Weight Capacity: 30 kg/shelf  
Colour: Group 1 (standard)  
Colour Option 1: Group 2  
Colour Option 2: Two-tone



NOTES: \*OVERALL DEPTH 580mm



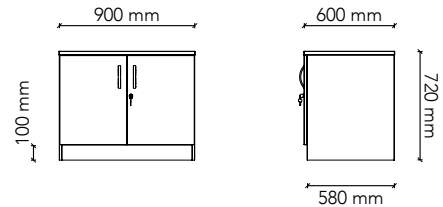
# STORAGE UNITS.

900W x 600D - with doors



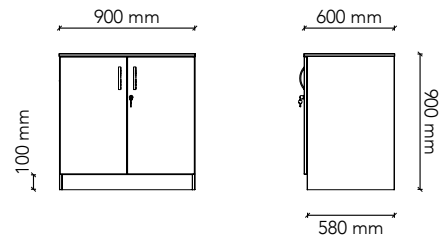
## SD60-1

Unit Size: 900W x 600D x 720H  
Adj. Shelves: 1 x 25mm  
Weight Capacity: 30 kg/shelf  
Colour: Group 1 (standard)  
Colour Option 1: Group 2  
Colour Option 2: Two-tone  
Lock: Key lock



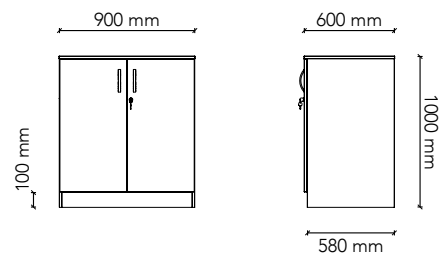
## SD60-2

Unit Size: 900W x 600D x 900H  
Adj. Shelves: 1 x 25mm  
Weight Capacity: 30 kg/shelf  
Colour: Group 1 (standard)  
Colour Option 1: Group 2  
Colour Option 2: Two-tone  
Lock: Key lock



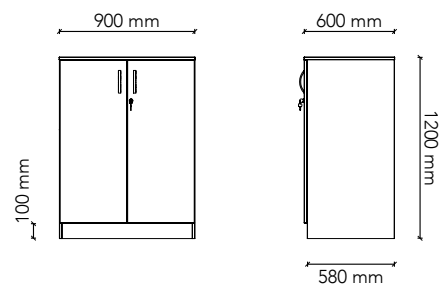
## SD60-3

Unit Size: 900W x 600D x 1000H  
Adj. Shelves: 2 x 25mm  
Weight Capacity: 30 kg/shelf  
Colour: Group 1 (standard)  
Colour Option 1: Group 2  
Colour Option 2: Two-tone  
Lock: Key lock



## SD60-4

Unit Size: 900W x 600D x 1200H  
Adj. Shelves: 2 x 25mm  
Weight Capacity: 30 kg/shelf  
Colour: Group 1 (standard)  
Colour Option 1: Group 2  
Colour Option 2: Two-tone  
Lock: Key lock



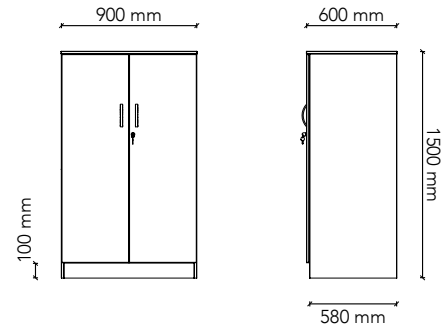
# STORAGE UNITS.

900W x 600D - with doors



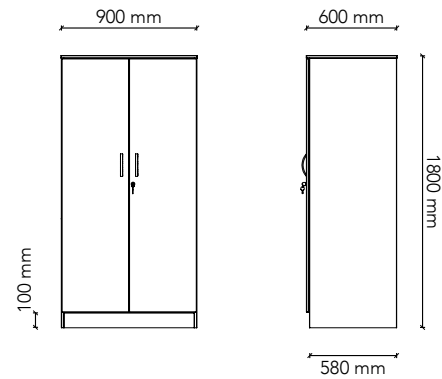
## SD60-5

Unit Size: 900W x 600D x 1200H  
Adj. Shelves: 3 x 25mm  
Weight Capacity: 30 kg/shelf  
Colour: Group 1 (standard)  
Colour Option 1: Group 2  
Colour Option 2: Two-tone  
Lock: Key lock



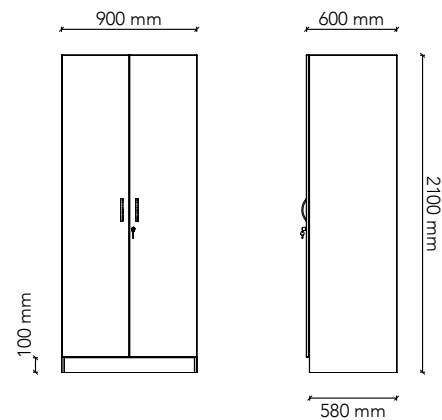
## SD60-6

Unit Size: 900W x 600D x 1800H  
Adj. Shelves: 4 x 25mm  
Weight Capacity: 30 kg/shelf  
Colour: Group 1 (standard)  
Colour Option 1: Group 2  
Colour Option 2: Two-tone  
Lock: Key lock



## SD60-7

Unit Size: 900W x 600D x 2100H  
Adj. Shelves: 3 x 25mm + (1 fixed shelf)  
Weight Capacity: 30 kg/shelf  
Colour: Group 1 (standard)  
Colour Option 1: Group 2  
Colour Option 2: Two-tone  
Lock: Key lock



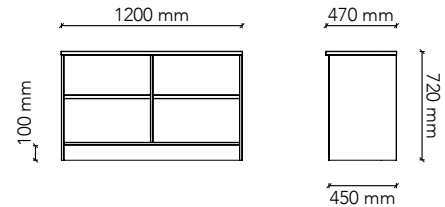
# STORAGE UNITS.

1200W x 470D - open

# Watts.

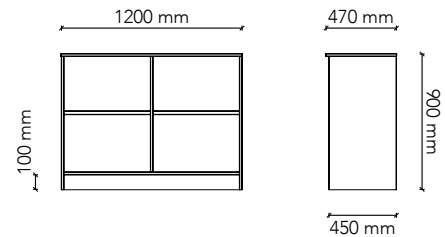
## SOW47-1

Unit Size: 1200W x 470D x 720H  
Adj. Shelves: 2 x 25mm  
Weight Capacity: 30 kg/shelf  
Colour: Group 1 (standard)  
Colour Option 1: Group 2  
Colour Option 2: Two-tone  
Divider: 1 x Centre Divider



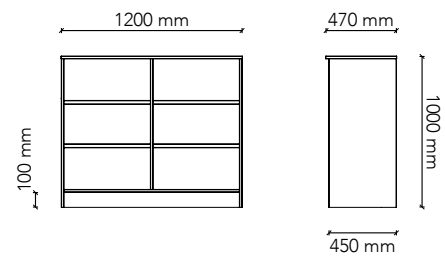
## SOW47-2

Unit Size: 1200W x 470D x 900H  
Adj. Shelves: 2 x 25mm  
Weight Capacity: 30 kg/shelf  
Colour: Group 1 (standard)  
Colour Option 1: Group 2  
Colour Option 2: Two-tone  
Divider: 1 x Centre Divider



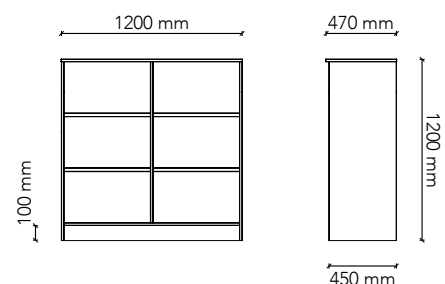
## SOW47-3

Unit Size: 1200W x 470D x 1000H  
Adj. Shelves: 4 x 25mm  
Weight Capacity: 30 kg/shelf  
Colour: Group 1 (standard)  
Colour Option 1: Group 2  
Colour Option 2: Two-tone  
Divider: 1 x Centre Divider



## SOW47-4

Unit Size: 1200W x 470D x 1200H  
Adj. Shelves: 4 x 25mm  
Weight Capacity: 30 kg/shelf  
Colour: Group 1 (standard)  
Colour Option 1: Group 2  
Colour Option 2: Two-tone  
Divider: 1 x Centre Divider



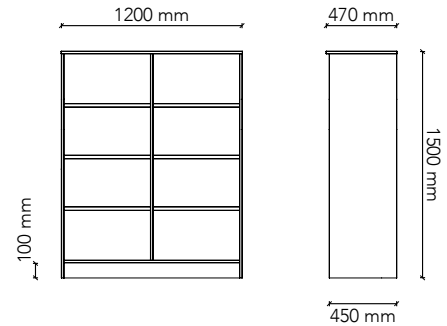
# STORAGE UNITS.

1200W x 470D - open



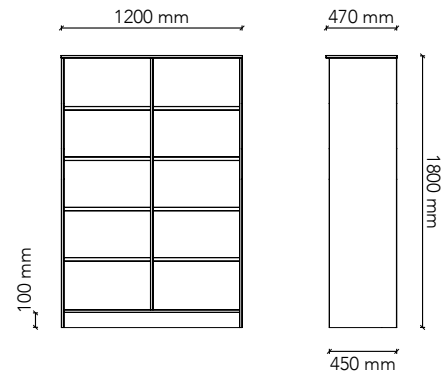
## SOW47-5

Unit Size: 1200W x 470D x 1500H  
Adj. Shelves: 6 x 25mm  
Weight Capacity: 30 kg/shelf  
Colour: Group 1 (standard)  
Colour Option 1: Group 2  
Colour Option 2: Two-tone  
Divider: 1 x Centre Divider



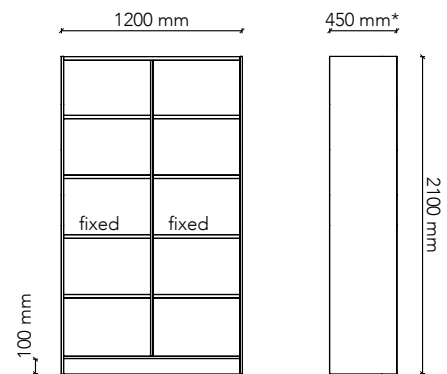
## SOW47-6

Unit Size: 1200W x 470D x 1800H  
Adj. Shelves: 8 x 25mm  
Weight Capacity: 30 kg/shelf  
Colour: Group 1 (standard)  
Colour Option 1: Group 2  
Colour Option 2: Two-tone  
Divider: 1 x Centre Divider



## SOW47-7

Unit Size: 1200W x 450D x 2100H  
Adj. Shelves: 6 x 25mm + (2 fixed shelves)  
Weight Capacity: 30 kg/shelf  
Colour: Group 1 (standard)  
Colour Option 1: Group 2  
Colour Option 2: Two-tone  
Divider: 1 x Centre Divider



NOTES: \*OVERALL DEPTH 450mm

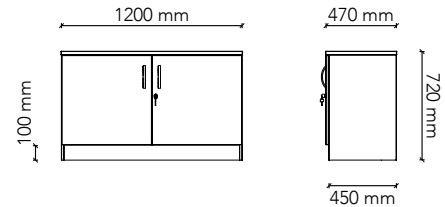
# STORAGE UNITS.

1200W x 470D - with doors

# Watts.

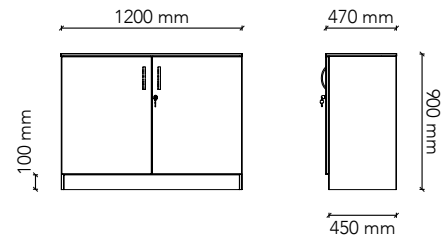
## SDW47-1

Unit Size: 1200W x 470D x 720H  
Adj. Shelves: 2 x 25mm  
Weight Capacity: 30 kg/shelf  
Colour: Group 1 (standard)  
Colour Option 1: Group 2  
Colour Option 2: Two-tone  
Lock: Key lock  
Divider: 1 x Centre Divider



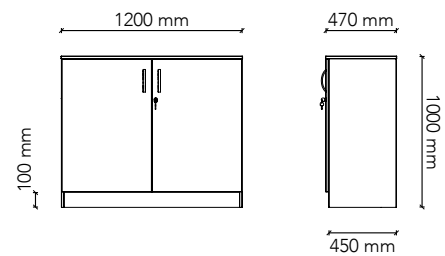
## SDW47-2

Unit Size: 1200W x 470D x 900H  
Adj. Shelves: 2 x 25mm  
Weight Capacity: 30 kg/shelf  
Colour: Group 1 (standard)  
Colour Option 1: Group 2  
Colour Option 2: Two-tone  
Lock: Key lock  
Divider: 1 x Centre Divider



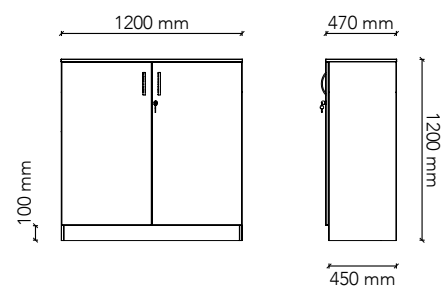
## SDW47-3

Unit Size: 1200W x 470D x 1000H  
Adj. Shelves: 4 x 25mm  
Weight Capacity: 30 kg/shelf  
Colour: Group 1 (standard)  
Colour Option 1: Group 2  
Colour Option 2: Two-tone  
Lock: Key lock  
Divider: 1 x Centre Divider



## SDW47-4

Unit Size: 1200W x 470D x 1200H  
Adj. Shelves: 4 x 25mm  
Weight Capacity: 30 kg/shelf  
Colour: Group 1 (standard)  
Colour Option 1: Group 2  
Colour Option 2: Two-tone  
Lock: Key lock  
Divider: 1 x Centre Divider



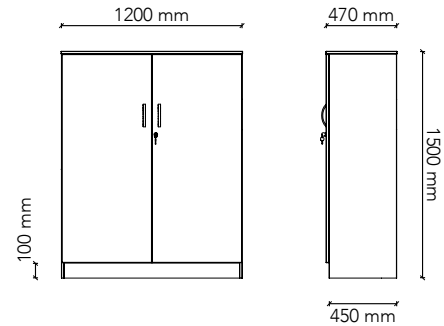
# STORAGE UNITS.

1200W x 470D - with doors



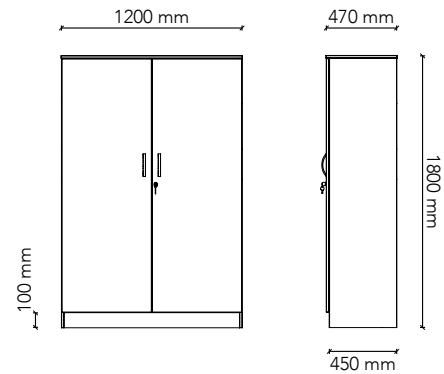
## SDW47-5

Unit Size: 1200W x 470D x 1500H  
Adj. Shelves: 6 x 25mm  
Weight Capacity: 30 kg/shelf  
Colour: Group 1 (standard)  
Colour Option 1: Group 2  
Colour Option 2: Two-tone  
Lock: Key lock  
Divider: 1 x Centre Divider



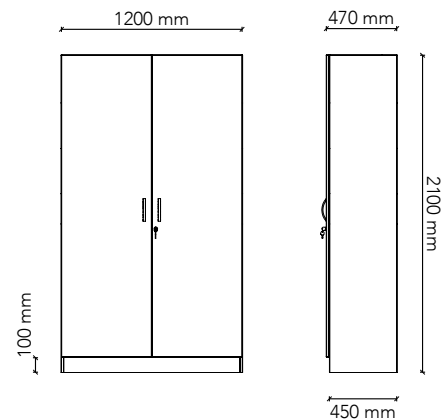
## SDW47-6

Unit Size: 1200W x 470D x 1800H  
Adj. Shelves: 8 x 25mm  
Weight Capacity: 30 kg/shelf  
Colour: Group 1 (standard)  
Colour Option 1: Group 2  
Colour Option 2: Two-tone  
Lock: Key lock  
Divider: 1 x Centre Divider



## SDW47-7

Unit Size: 1200W x 470D x 2100H  
Adj. Shelves: 6 x 25mm + (2 fixed shelves)  
Weight Capacity: 30 kg/shelf  
Colour: Group 1 (standard)  
Colour Option 1: Group 2  
Colour Option 2: Two-tone  
Lock: Key lock  
Divider: 1 x Centre Divider



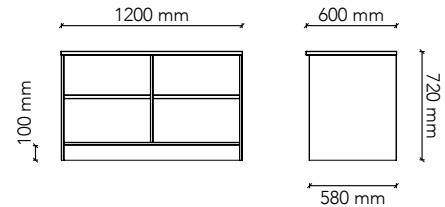
# STORAGE UNITS.

1200W x 600D - open

# Watts.

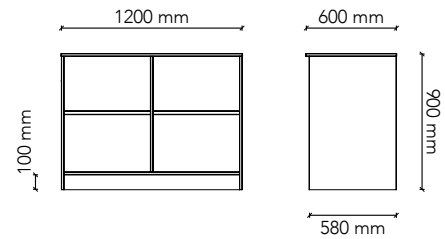
## SOW60-1

Unit Size: 1200W x 600D x 720H  
Adj. Shelves: 2 x 25mm  
Weight Capacity: 30 kg/shelf  
Colour: Group 1 (standard)  
Colour Option 1: Group 2  
Colour Option 2: Two-tone  
Divider: 1 x Centre Divider



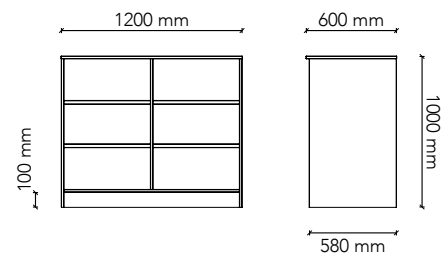
## SOW60-2

Unit Size: 1200W x 600D x 900H  
Adj. Shelves: 2 x 25mm  
Weight Capacity: 30 kg/shelf  
Colour: Group 1 (standard)  
Colour Option 1: Group 2  
Colour Option 2: Two-tone  
Divider: 1 x Centre Divider



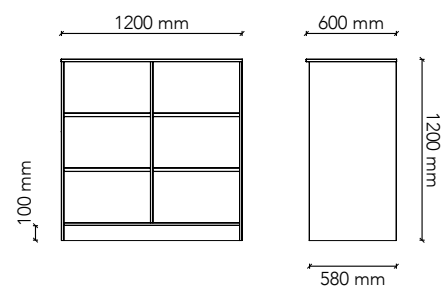
## SOW60-3

Unit Size: 1200W x 600D x 1000H  
Adj. Shelves: 4 x 25mm  
Weight Capacity: 30 kg/shelf  
Colour: Group 1 (standard)  
Colour Option 1: Group 2  
Colour Option 2: Two-tone  
Divider: 1 x Centre Divider



## SOW60-4

Unit Size: 1200W x 600D x 1200H  
Adj. Shelves: 4 x 25mm  
Weight Capacity: 30 kg/shelf  
Colour: Group 1 (standard)  
Colour Option 1: Group 2  
Colour Option 2: Two-tone  
Divider: 1 x Centre Divider



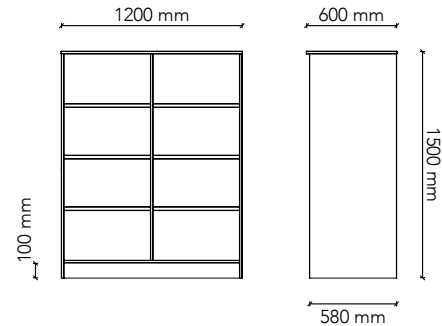
# STORAGE UNITS.

1200W x 600D - open



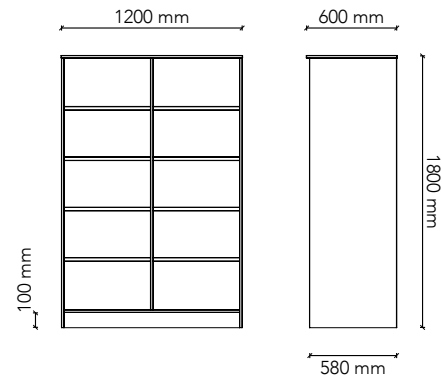
## SOW60-5

Unit Size: 1200W x 600D x 1500H  
Adj. Shelves: 6 x 25mm  
Weight Capacity: 30 kg/shelf  
Colour: Group 1 (standard)  
Colour Option 1: Group 2  
Colour Option 2: Two-tone  
Divider: 1 x Centre Divider



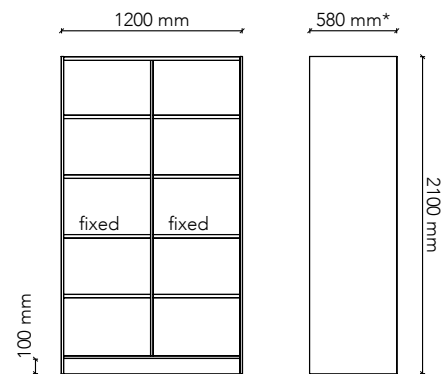
## SOW60-6

Unit Size: 1200W x 600D x 1800H  
Adj. Shelves: 8 x 25mm  
Weight Capacity: 30 kg/shelf  
Colour: Group 1 (standard)  
Colour Option 1: Group 2  
Colour Option 2: Two-tone  
Divider: 1 x Centre Divider



## SOW60-7

Unit Size: 1200W x 580D x 2100H  
Adj. Shelves: 6 x 25mm + (2 fixed shelves)  
Weight Capacity: 30 kg/shelf  
Colour: Group 1 (standard)  
Colour Option 1: Group 2  
Colour Option 2: Two-tone  
Divider: 1 x Centre Divider



NOTES: \*OVERALL DEPTH 580mm



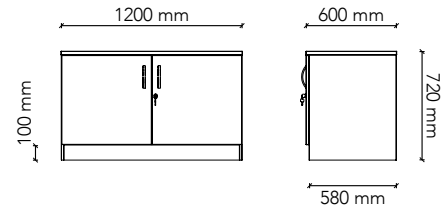
# STORAGE UNITS.

1200W x 600D - with doors

# Watts.

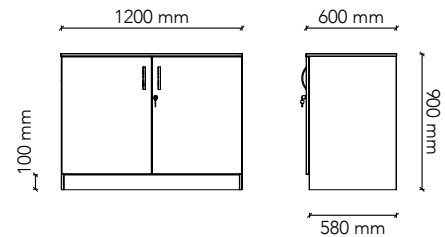
## SDW60-1

Unit Size: 1200W x 600D x 720H  
Adj. Shelves: 2 x 25mm  
Weight Capacity: 30 kg/shelf  
Colour: Group 1 (standard)  
Colour Option 1: Group 2  
Colour Option 2: Two-tone  
Lock: Key lock  
Divider: 1 x Centre Divider



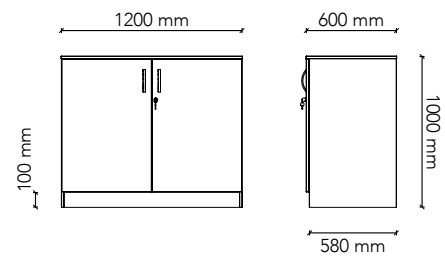
## SDW60-2

Unit Size: 1200W x 600D x 900H  
Adj. Shelves: 2 x 25mm  
Weight Capacity: 30 kg/shelf  
Colour: Group 1 (standard)  
Colour Option 1: Group 2  
Colour Option 2: Two-tone  
Lock: Key lock  
Divider: 1 x Centre Divider



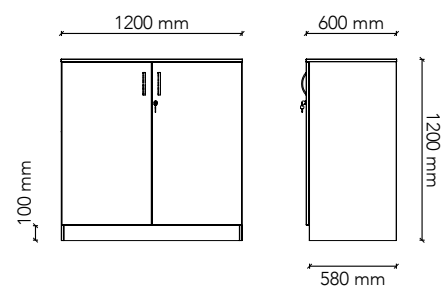
## SDW60-3

Unit Size: 1200W x 600D x 1000H  
Adj. Shelves: 2 x 25mm  
Weight Capacity: 30 kg/shelf  
Colour: Group 1 (standard)  
Colour Option 1: Group 2  
Colour Option 2: Two-tone  
Lock: Key lock  
Divider: 1 x Centre Divider



## SDW60-4

Unit Size: 1200W x 600D x 1200H  
Adj. Shelves: 4 x 25mm  
Weight Capacity: 30 kg/shelf  
Colour: Group 1 (standard)  
Colour Option 1: Group 2  
Colour Option 2: Two-tone  
Lock: Key lock  
Divider: 1 x Centre Divider



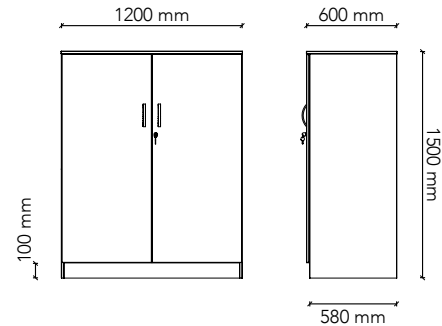
# STORAGE UNITS.

1200W x 600D - with doors



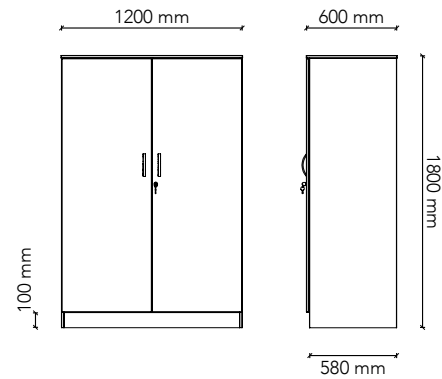
## SDW60-5

Unit Size: 1200W x 600D x 1500H  
Adj. Shelves: 6 x 25mm  
Weight Capacity: 30 kg/shelf  
Colour: Group 1 (standard)  
Colour Option 1: Group 2  
Colour Option 2: Two-tone  
Lock: Key lock  
Divider: 1 x Centre Divider



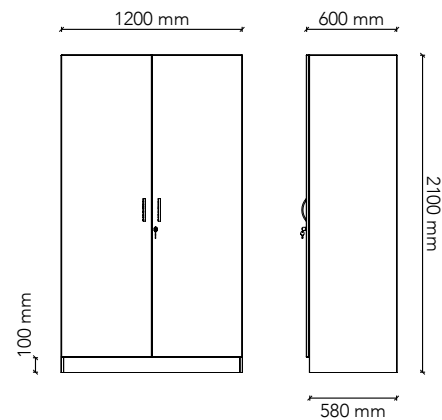
## SDW60-6

Unit Size: 1200W x 600D x 1800H  
Adj. Shelves: 8 x 25mm  
Weight Capacity: 30 kg/shelf  
Colour: Group 1 (standard)  
Colour Option 1: Group 2  
Colour Option 2: Two-tone  
Lock: Key lock  
Divider: 1 x Centre Divider



## SDW60-7

Unit Size: 1200W x 600D x 2100H  
Adj. Shelves: 6 x 25mm + (2 fixed shelves)  
Weight Capacity: 30 kg/shelf  
Colour: Group 1 (standard)  
Colour Option 1: Group 2  
Colour Option 2: Two-tone  
Lock: Key lock  
Divider: 1 x Centre Divider



**Watts.**  
Quality furniture since 1922



Watts Commercial Furniture  
350a Edgar St  
Bankstown NSW 2200

p: 02 9771 3966  
f: 02 9771 6824

sales.watts@wcf.com.au  
accounts.watts@wcf.com.au

**[www.wcf.com.au](http://www.wcf.com.au)**

Watts Commercial Furniture reserves the right to change any or all details without prior notice. Every effort has been made to ensure the information is accurate at the time of printing.

August 2019