



OKIDOKI (FOLDING TABLE)

SPEC SHEET

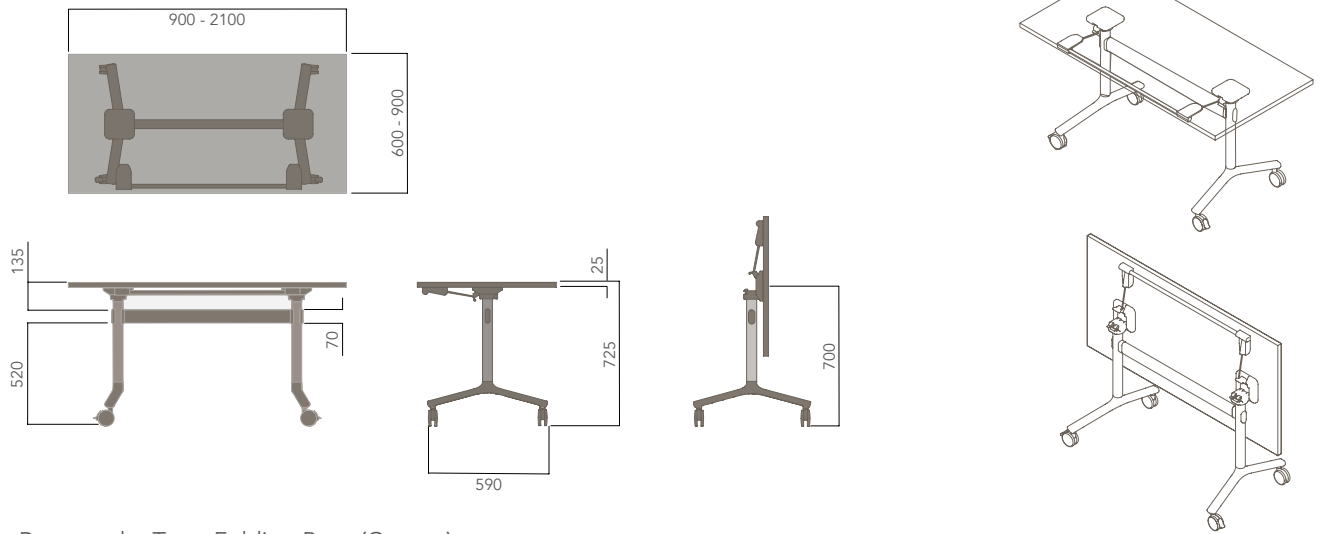
Lead Time: 4 - 6 weeks
Warranty: 10 years

Please refer to a physical sample. Images are for an indicative reference only. Actual product may vary slightly, depending upon model configurations.

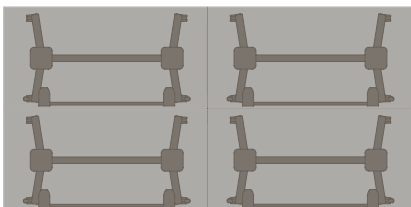
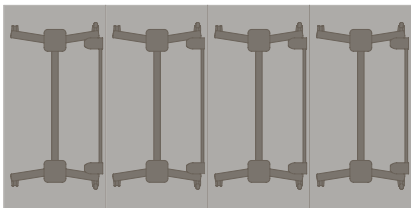
FEATURES	DESCRIPTION	TABLE TOP SIZE (mm)
<ul style="list-style-type: none"> » 25mm Melamine table top with matching ABS edging » Flip mechanism with safety lock » Blanc powder coated frame » GECA certified 	<p>RECTANGULAR TOP (FOLDING BASE, 720H)</p> <p>STANDARD FINISHES:</p> <p>TOP: "FINISHES - BOARDS - GROUP 1"</p> <p>FRAME: BLANC</p>	<p>900W x 600D - 2100W x 900D</p>
OPTIONS		
<ul style="list-style-type: none"> » Solid timber table top » Custom table top shape / size » Custom edge / corner finish » Custom powder coated finish » Table Linking device » Modesty panel 		

OKIDOKI (FOLDING TABLE).

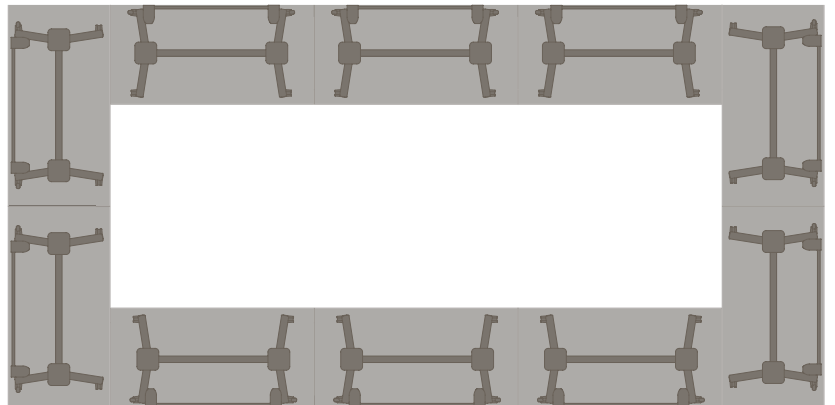
Please refer to a physical sample.
Images are for an indicative reference only.
Actual product may vary slightly, depending upon model configurations.



Rectangular Top - Folding Base (Castors)



Linked Configuration*



Racetrack Configuration