



## U.R (MEETING TABLE)

## SPEC SHEET

Lead Time: 4 - 6 weeks  
Warranty: 10 years

Please refer to a physical sample. Images are for an indicative reference only. Actual product may vary slightly, depending upon model configurations.

FEATURES	DIMENSIONS	TABLE TOP SIZE RANGE (mm)
» 25mm Melamine table top with matching ABS edging	ROUND TOP (4 STAR BASE, 720H)	Ø1000 - Ø1300
» Black texture or Chrome leg with polished aluminium feet	ROUND TOP (5 STAR BASE, 720H)	Ø700 - Ø1000
» GECA certified	ROUND TOP (5 STAR GAS LIFT BASE)	Ø700 - Ø750
	ROUND TOP (MULTI-LEG BASE, 720H)	Ø1400 - Ø2100
	SQUARE TOP (4 STAR BASE, 720H)	750W x 750D - 1000W x 1000D
	SQUARE TOP (5 STAR BASE, 720H)	700W x 700D - 750W x 750D
	SQUARE TOP (5 STAR GAS LIFT BASE)	700W x 700D - 750W x 750D
	SQUARE TOP (MULTI-LEG BASE, 720H)	1050W x 1050D - 1800W x 1800D
	RECTANGULAR TOP (2 LEG SET BASE, 720H)	1200W x 600D - 2700W x 1300D
	RECTANGULAR TOP (MULTI-LEG BASE, 720H)	1800W x 1150D - 8400W x 2100D

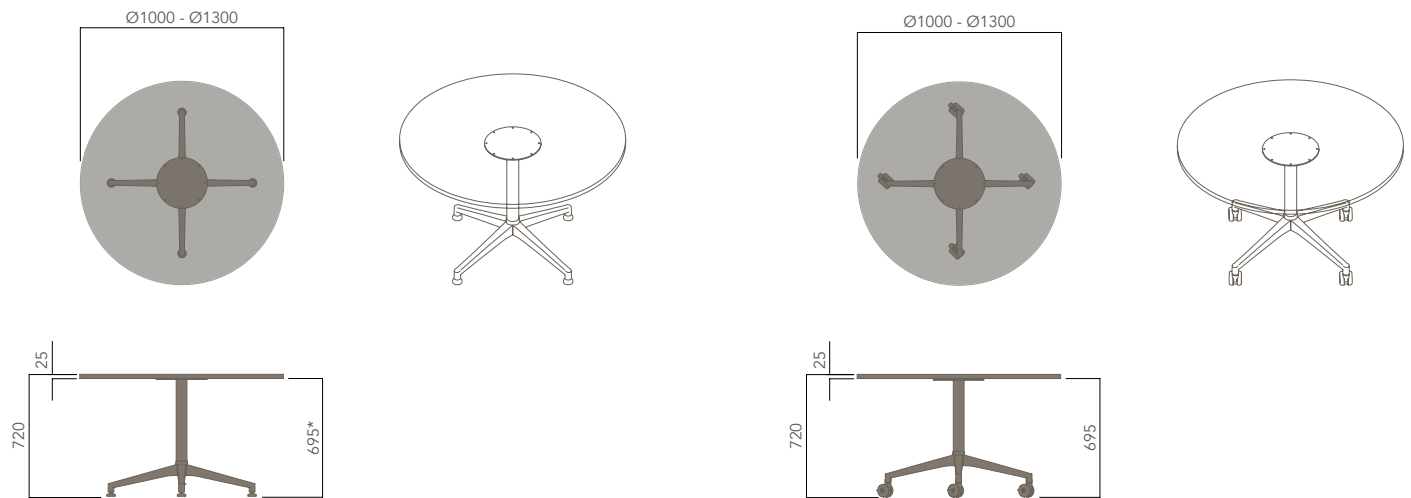
### STANDARD FINISHES:

TOP: "FINISHES - BOARDS - GROUP 1"

FRAME: "BLACK TEXTURE OR CHROME LEG WITH POLISHED ALUMINIUM FEET"

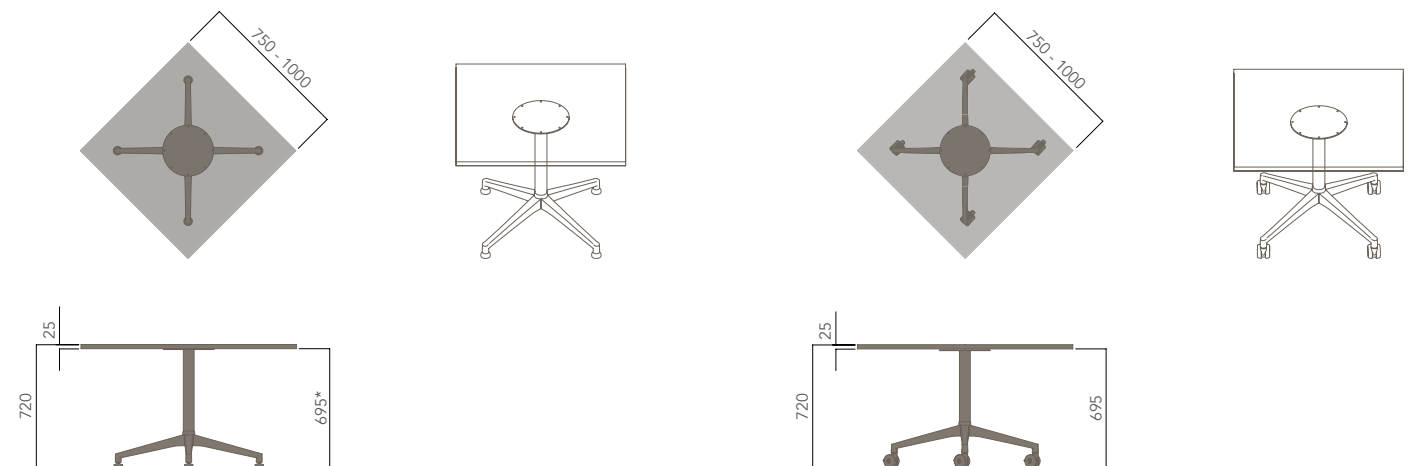
## U.R (MEETING TABLE).

Please refer to a physical sample.  
 Images are for an indicative reference only.  
 Actual product may vary slightly, depending upon model configurations.



Round Top - 4 Star Base (Glides)

Round Top - 4 Star Base (Castors)

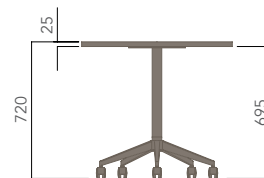
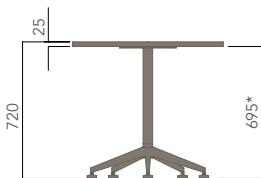
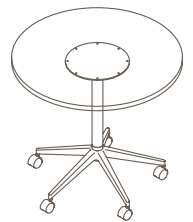
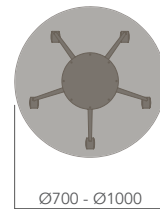
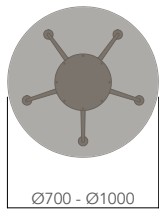


Square Top - 4 Star Base (Glides)

Square Top - 4 Star Base (Castors)

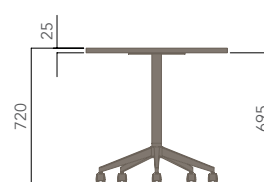
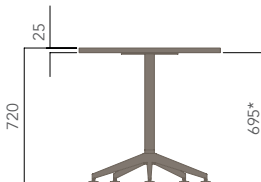
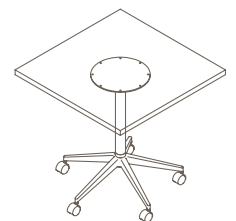
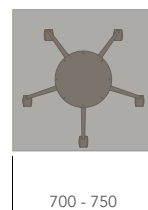
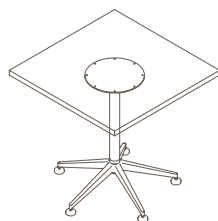
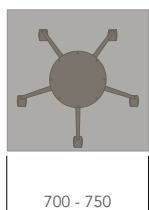
## U.R (MEETING TABLE).

Please refer to a physical sample.  
 Images are for an indicative reference only.  
 Actual product may vary slightly, depending upon model configurations.



Round Top - 5 Star Base (Glides)

Round Top - 5 Star Base (Castors)

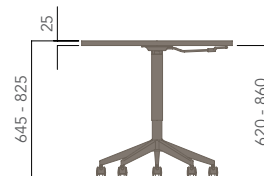
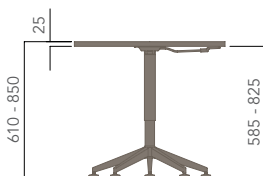
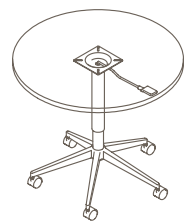
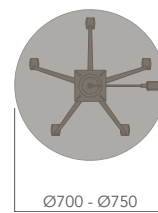
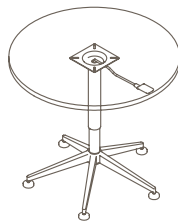
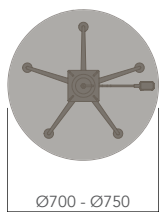


Square Top - 5 Star Base (Glides)

Square Top - 5 Star Base (Castors)

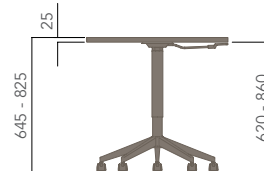
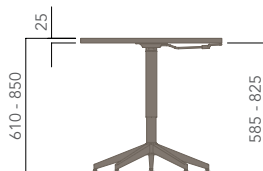
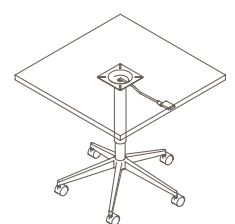
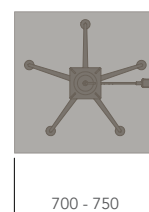
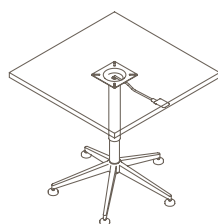
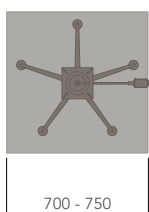
## U.R (MEETING TABLE).

Please refer to a physical sample.  
 Images are for an indicative reference only.  
 Actual product may vary slightly, depending upon model configurations.



Round Top - 5 Star Gas Lift Base (Glides)

Round Top - 5 Star Gas Lift Base (Castors)

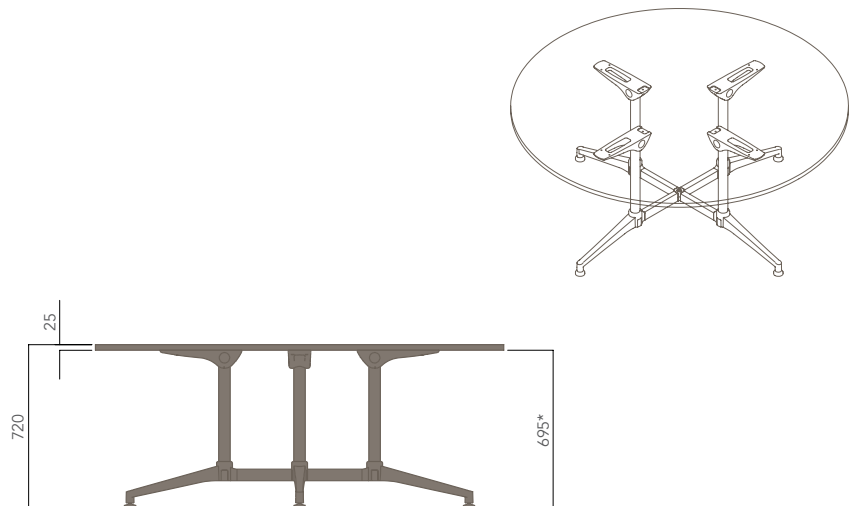
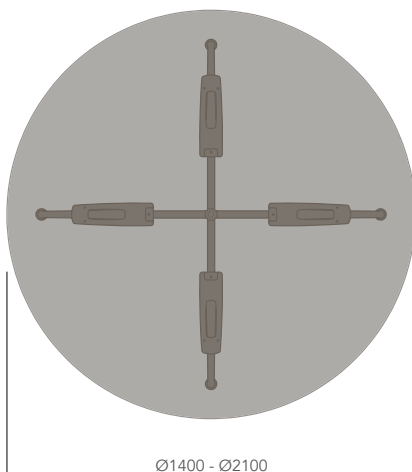


Square Top - 5 Star Gas Lift Base (Glides)

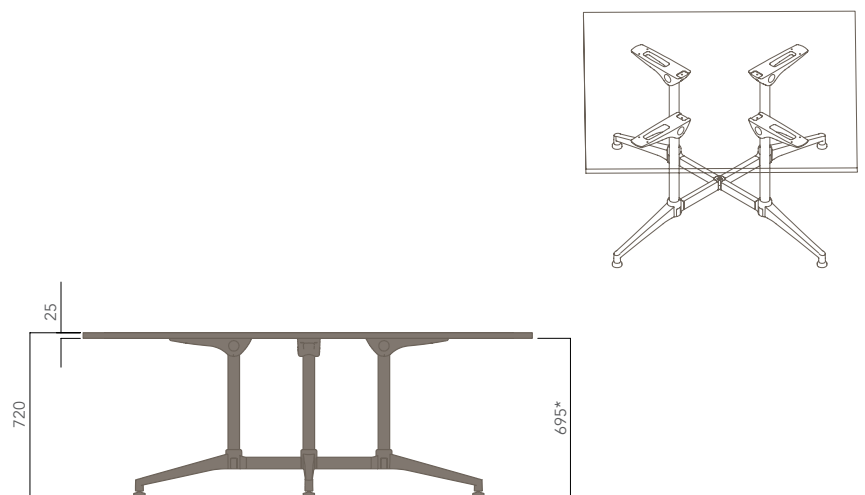
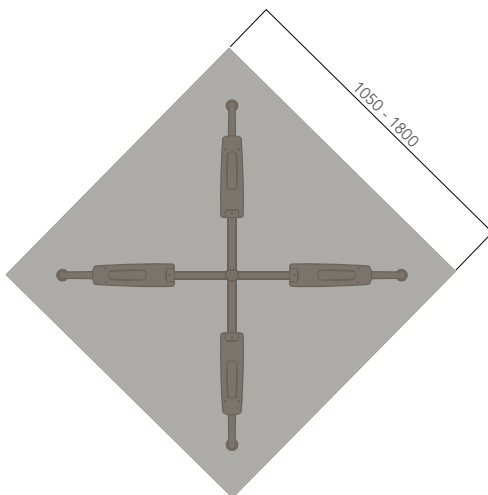
Square Top - 5 Star Gas Lift Base (Castors)

## U.R (MEETING TABLE).

Please refer to a physical sample.  
Images are for an indicative reference only.  
Actual product may vary slightly, depending upon model configurations.



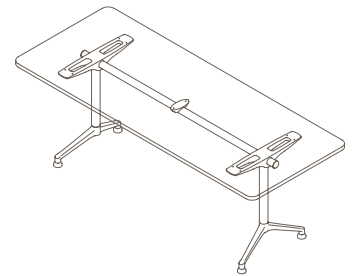
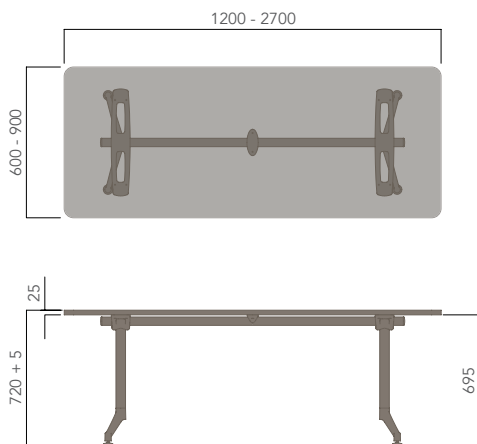
Round Top - Multi-Leg Base



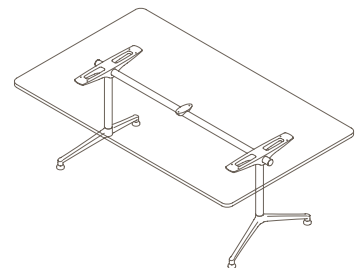
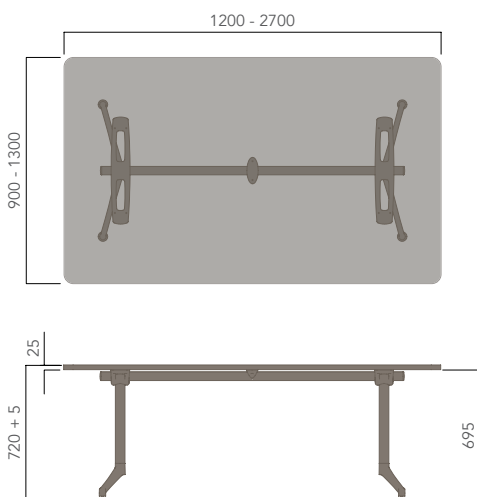
Square Top - Multi-Leg Base

## U.R (MEETING TABLE).

Please refer to a physical sample.  
Images are for an indicative reference only.  
Actual product may vary slightly, depending upon model configurations.



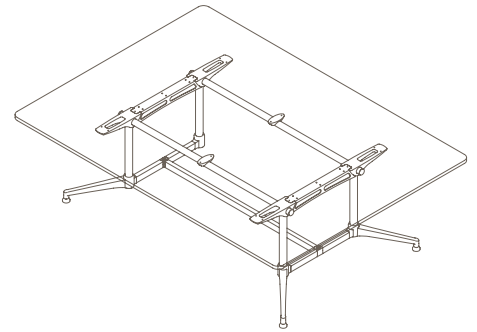
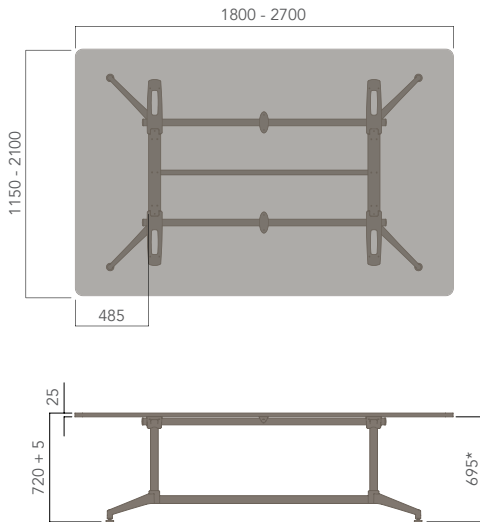
Rectangular Top - 2 Leg Set Base (600D - 900D)



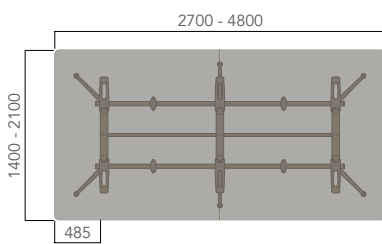
Rectangular Top - 2 Leg Set Base (900D - 1300D)

## U.R (MEETING TABLE).

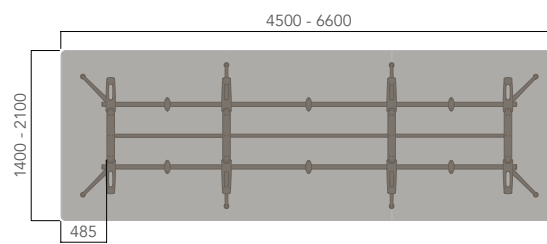
Please refer to a physical sample.  
Images are for an indicative reference only.  
Actual product may vary slightly, depending upon model configurations.



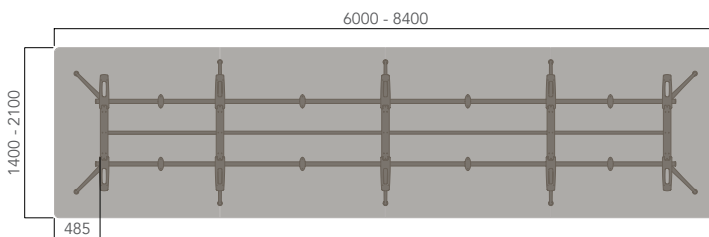
Rectangular Top - Multi-Leg Base(4)



Rectangular Top - Multi-Leg Base(6)



Rectangular Top - Multi-Leg Base(8)



Rectangular Top - Multi-Leg Base(10)



Watts Commercial Furniture  
350a Edgar St  
Bankstown NSW 2200

p: 02 9771 3966  
f: 02 9771 6824

sales.watts@wcf.com.au  
accounts.watts@wcf.com.au

**[www.wcf.com.au](http://www.wcf.com.au)**

Watts Commercial Furniture reserves the right to change any or all details without prior notice. Every effort has been made to ensure the information is accurate at the time of printing.

January 2021