



## ROUND TUBULAR (COFFEE TABLE)\*

## SPEC SHEET

Lead Time: 4 - 6 weeks  
Warranty: 10 years

Please refer to a physical sample. Images are for an indicative reference only.  
Actual product may vary slightly, depending upon model configurations.

### FEATURES

- » 25mm Melamine table top with matching ABS edging
- » Environmental friendly E0 board
- » Round tubular base in Chrome finish

### OPTIONS

- » Custom table top shape / size
- » Custom edge / corner finish
- » Custom powder coated finish

### DIMENSIONS

	WIDTH (mm)	DEPTH (mm)	HEIGHT (mm)
CT1	600	600	450
CT2	1200	600	450
CT3	900	900	450
CT4	Ø600	Ø600	450
CT5	Ø750	Ø750	450
CT6	Ø900	Ø900	450
WFE138	Ø450	Ø450	450
WFE139	450	450	450

### STANDARD FINISHES:

TOP: "FINISHES - BOARDS - GROUP 1"    FRAME: "CHROME"

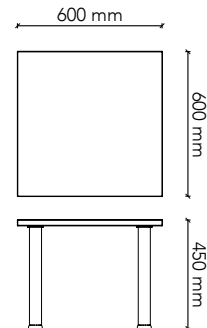
# Round Tubular.

Coffee Table

# Watts.

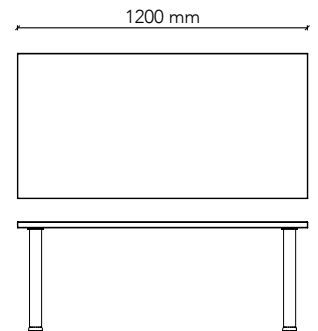
## CT1

Table Size: 600W x 600D x 450H  
Tabletop Colour: Group 1 (standard)  
Colour Option1: Group 2  
Colour Option2: Veneer Range  
Base Colour: Chrome (standard)  
Colour Option: Powder Coat Range



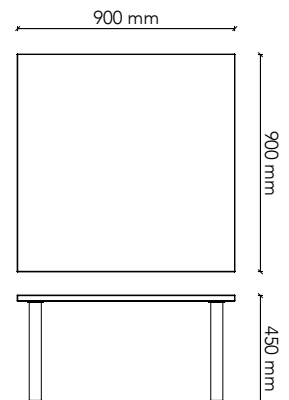
## CT2

Table Size: 1200W x 600D x 450H  
Tabletop Colour: Group 1 (standard)  
Colour Option1: Group 2  
Colour Option2: Veneer Range  
Base Colour: Chrome (standard)  
Colour Option: Powder Coat Range



## CT3

Table Size: 900W x 900D x 450H  
Tabletop Colour: Group 1 (standard)  
Colour Option1: Group 2  
Colour Option2: Veneer Range  
Base Colour: Chrome (standard)  
Colour Option: Powder Coat Range



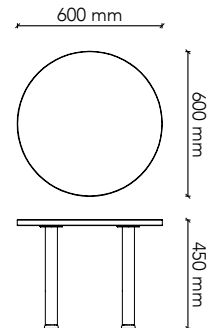
# Round Tubular.

Coffee Table

# Watts.

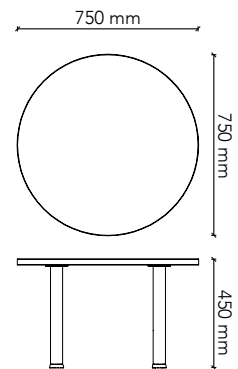
## CT4

Table Size: Ø600 x 450H  
Tabletop Colour: Group 1 (standard)  
Colour Option1: Group 2  
Colour Option2: Veneer Range  
Base Colour: Chrome (standard)  
Colour Option: Powder Coat Range



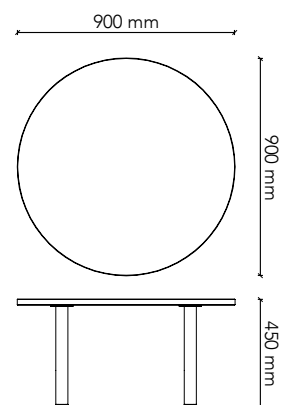
## CT5

Table Size: Ø750 x 450H  
Tabletop Colour: Group 1 (standard)  
Colour Option1: Group 2  
Colour Option2: Veneer Range  
Base Colour: Chrome (standard)  
Colour Option: Powder Coat Range



## CT6

Table Size: Ø900 x 450H  
Tabletop Colour: Group 1 (standard)  
Colour Option1: Group 2  
Colour Option2: Veneer Range  
Base Colour: Chrome (standard)  
Colour Option: Powder Coat Range





Watts Commercial Furniture  
350a Edgar St  
Bankstown NSW 2200

p: 02 9771 3966  
f: 02 9771 6824

sales.watts@wcf.com.au  
accounts.watts@wcf.com.au

**[www.wcf.com.au](http://www.wcf.com.au)**

Watts Commercial Furniture reserves the right to change any or all details without prior notice. Every effort has been made to ensure the information is accurate at the time of printing.

October 2021