



ZEPHYR (MEETING TABLE)

SPEC SHEET

Lead Time: 4 - 6 weeks
Warranty: 10 years

Please refer to a physical sample. Images are for an indicative reference only.
Actual product may vary slightly, depending upon model configurations.

FEATURES

- » 25mm laminated table top with matching ABS edging
- » Commercial grade powder coated frame with height adjustable levelling feet

OPTIONS

- » Solid timber table top
- » Custom table top shape / size
- » Custom edge / corner finish
- » Custom powder coated finish

DIMENSIONS

ROUND TOP (4 LEG BASE, 720H)

SQUARE TOP (4 LEG BASE, 720H)

RECTANGULAR TOP (4 LEG BASE, 720H)

RECTANGULAR TOP (MULTI-LEG BASE, 720H)

STANDARD FINISHES:

TOP: "FINISHES - BOARDS - GROUP 1"

FRAME: "STANDARD POWDER COAT RANGE"

TABLE TOP SIZE RANGE (mm)

Ø1200 - Ø2100

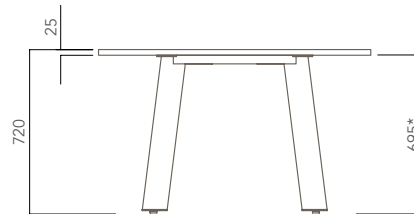
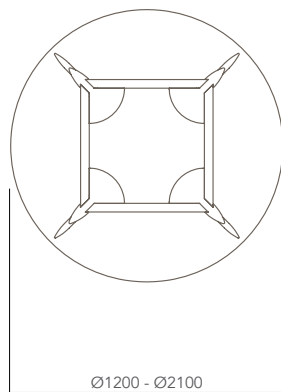
900W x 900D - 2100W x 2100D

1200W x 900D - 2400W x 2100D

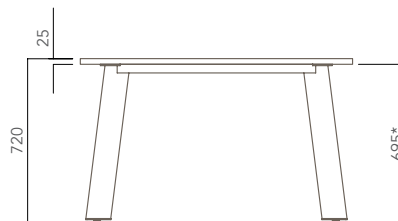
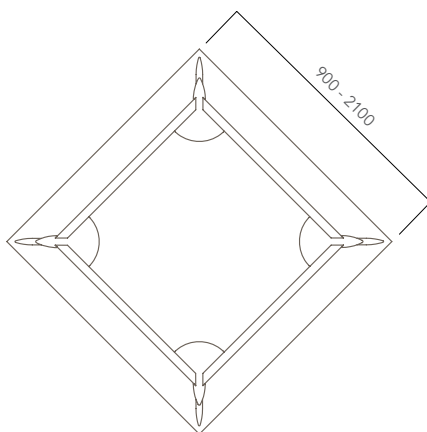
2500W x 900D - 4800W x 2100D

ZEPHYR (MEETING TABLE).

Please refer to a physical sample.
Images are for an indicative reference only.
Actual product may vary slightly, depending upon model configurations.



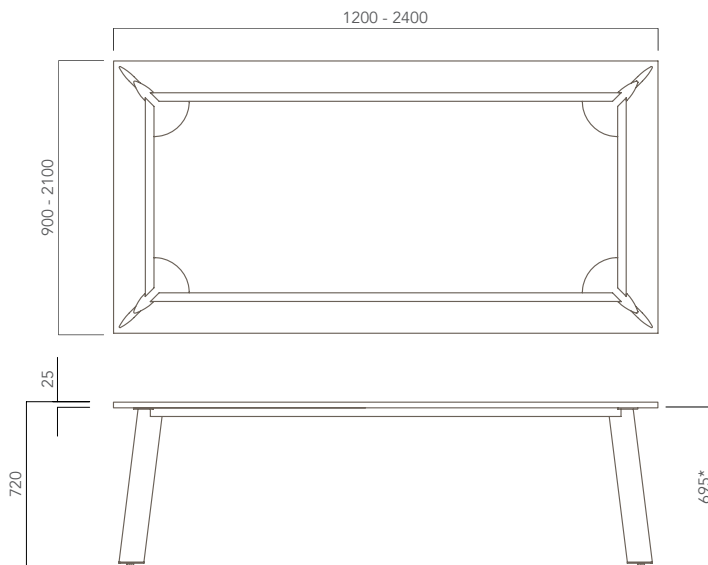
Round Top - 4 Leg Base



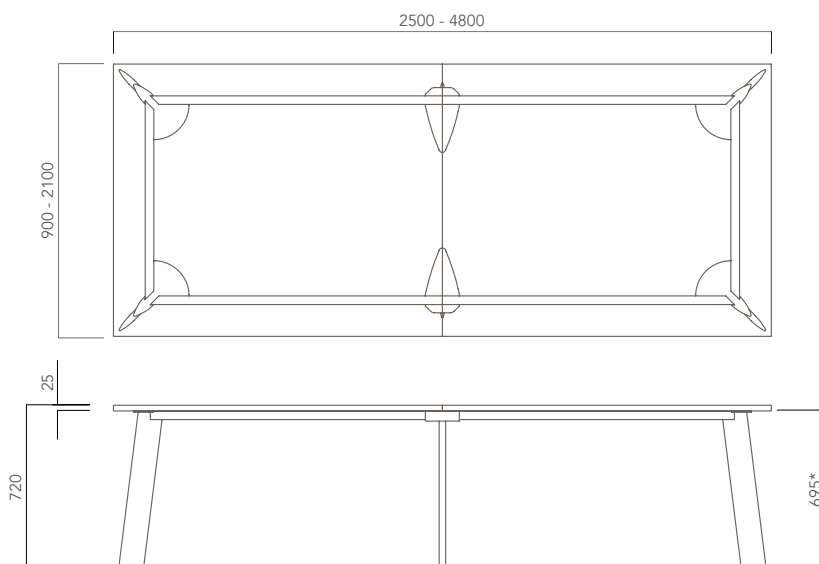
Square Top - 4 Leg Base

ZEPHYR (MEETING TABLE).

Please refer to a physical sample.
Images are for an indicative reference only.
Actual product may vary slightly, depending upon model configurations.



Rectangular Top - 4 Leg Base



Rectangular Top - Multi-Leg Base (6)





Watts Commercial Furniture
350a Edgar St
Bankstown NSW 2200

p: 02 9771 3966
f: 02 9771 6824

sales.watts@wcf.com.au
accounts.watts@wcf.com.au

www.wcf.com.au

Watts Commercial Furniture reserves the right to change any or all details without prior notice. Every effort has been made to ensure the information is accurate at the time of printing.

November 2021