

## LOOP

## SPEC SHEET

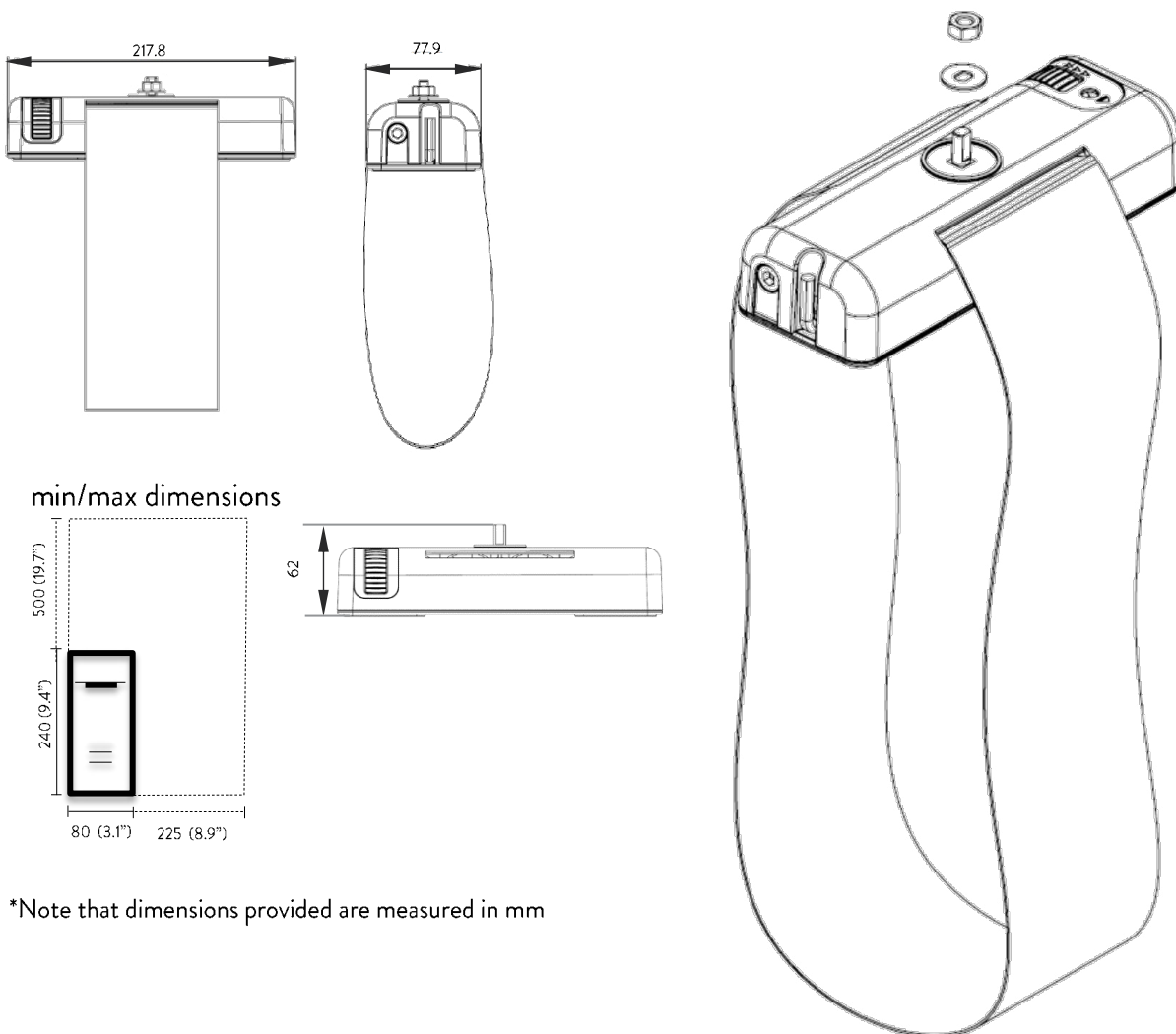
Lead Time: 4 - 6 weeks  
Warranty: 10 years

Please refer to a physical sample. Images are for an indicative reference only.  
Actual product may vary slightly, depending upon model configurations.

FEATURES	DIMENSIONS	WIDTH (mm)	DEPTH (mm)	HEIGHT (mm)
<ul style="list-style-type: none"> <li>» Easy and secure fit</li> <li>» Adapts to any shape</li> <li>» Strong and reliable ratchet mechanism provides full adjustability</li> <li>» Discreet installed appearance</li> <li>» Storage for fastening tool</li> <li>» Max. load: 20kg</li> <li>» Master Unit weight: 4.4kg</li> <li>» Min. CPU: 80D x 240H</li> <li>» Max. CPU: 225D x 500H</li> </ul>	Overall (Master Unit)	217.8	77.9	62
	<b>Standard Finishes:</b>			
	Black			

## CPU Holder - Loop.

Please refer to a physical sample.  
Images are for an indicative reference only.  
Actual product may vary slightly, depending upon model configurations.



\*Note that dimensions provided are measured in mm

### Watts Commercial Furniture

350a Edgar St  
Bankstown NSW 2200  
PO Box 275 Condell Park 2200  
ABN: 54 064 557 893

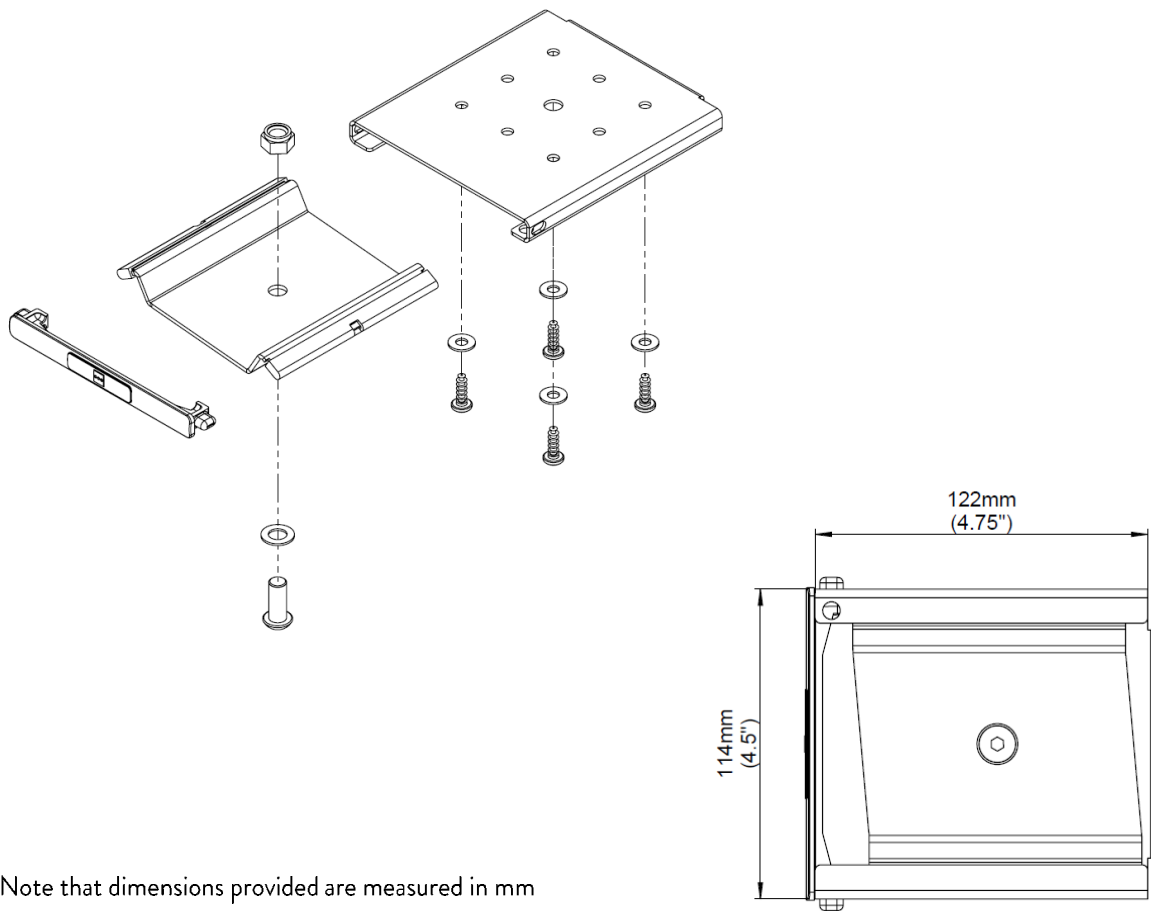
p: 02 9771 3966  
wcf.com.au  
sales.watts@wcf.com.au  
accounts.watts@wcf.com.au

Watts Commercial Furniture reserves the right to change any or all details without prior notice. Every effort has been made to ensure the information is accurate at the time of printing.

**September 2022**

## Mount Option - Universal Rotate Mount.

Please refer to a physical sample.  
Images are for an indicative reference only.  
Actual product may vary slightly, depending upon model configurations.



\*Note that dimensions provided are measured in mm

### Watts Commercial Furniture

350a Edgar St  
Bankstown NSW 2200  
PO Box 275 Condell Park 2200  
ABN: 54 064 557 893

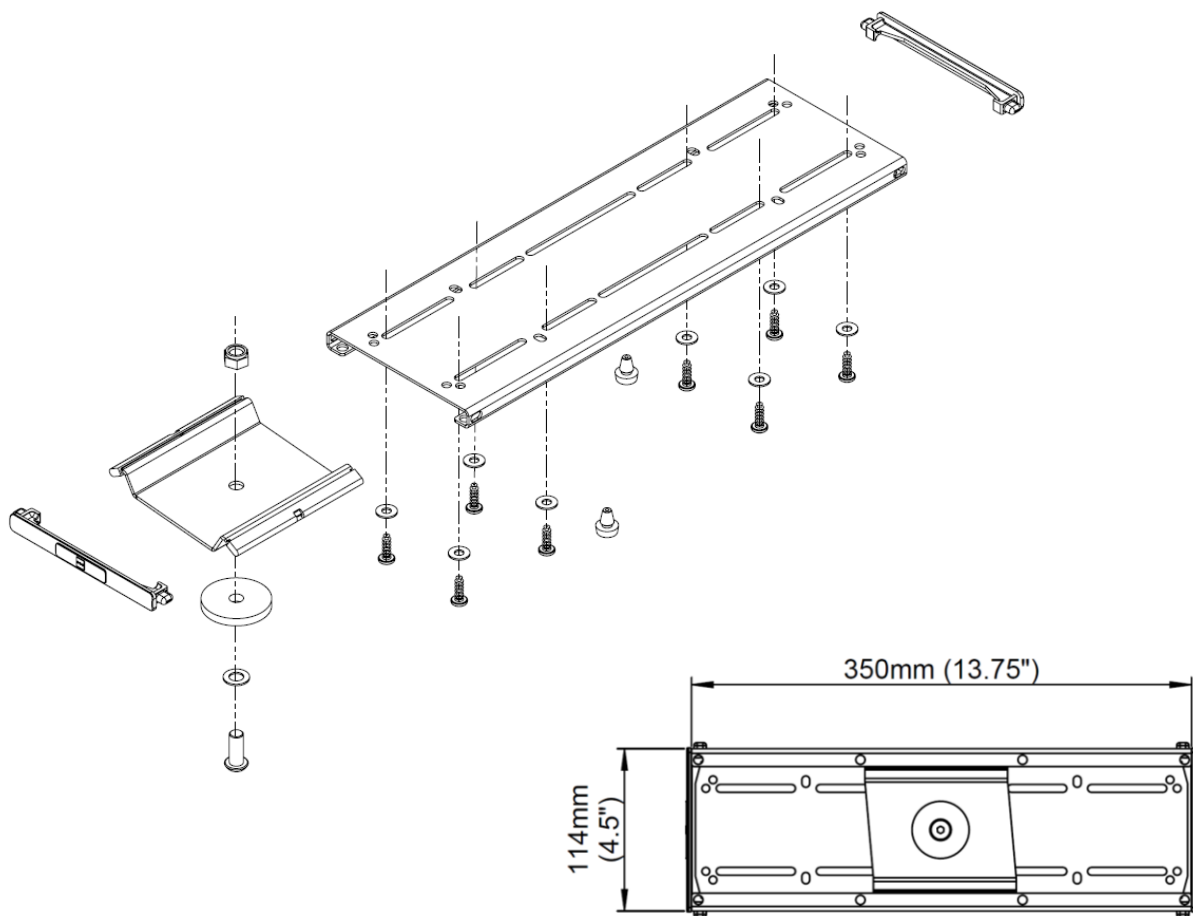
p: 02 9771 3966  
wcf.com.au  
sales.watts@wcf.com.au  
accounts.watts@wcf.com.au

Watts Commercial Furniture reserves the right to change any or all details without prior notice. Every effort has been made to ensure the information is accurate at the time of printing.

**September 2022**

## Mount Option - Universal Slide & Rotate Track 350mm.

Please refer to a physical sample.  
Images are for an indicative reference only.  
Actual product may vary slightly, depending upon model configurations.



\*Note that dimensions provided are measured in mm

### Watts Commercial Furniture

350a Edgar St  
Bankstown NSW 2200  
PO Box 275 Condell Park 2200  
ABN: 54 064 557 893

p: 02 9771 3966  
wcf.com.au  
sales.watts@wcf.com.au  
accounts.watts@wcf.com.au

Watts Commercial Furniture reserves the right to change any or all details without prior notice. Every effort has been made to ensure the information is accurate at the time of printing.

**September 2022**